

COACH/GLOBE LANTERN B22/E27 + 110°P.I.R.

Description

A decorative polycarbonate vandal resistant family of lanterns with integral passive infra red detector (P.I.R.). It is designed to illuminate for approximately 2½ minutes when triggered by a moving heat source.

Mains supply – 230V/240V~ 50Hz.
 Lamp: 100W maximum B22/E27.
 Power Rating: 250W maximum total.
 Weather rating: IP44.
 Suitable for outdoor use only.
 Conforms to BS EN 60598-2-1.
 This unit must be wired in accordance with all the latest relevant regulations.

Location and Range

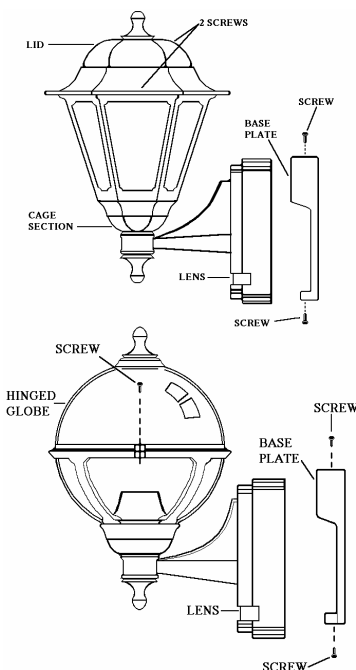
The unit Should be mounted flush to a vertical wall ensuring that the detector head sits underneath the luminaire.

The P.I.R. range is dependent on the mounting height; typical range is 6 metres with a mounting height of 1.7 metres.

Ensure that direct light from any other lamp can not enter the sensor lens.

Product Diagram

Coach Lantern



Globe Lantern

Installation

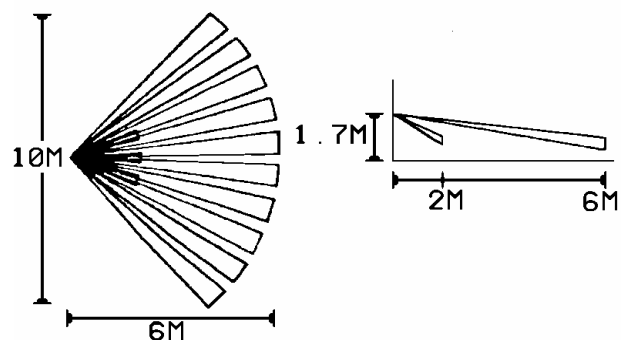
ISOLATE THE MAINS SUPPLY BEFORE WORKING ON THE INSTALLATION.

Avoid mounting the unit near sources of heat such as boiler vents as these could cause spurious triggering.

1. Mark the wall using the base plate as a template.
2. Fit the grommets to the base plate. Thread the incoming mains cable through the grommet. Fit the base plate to the wall using 2 screws and plugs (not supplied). Seal the cable entry & fixings with silicone sealant.
3. Wire the mains cable to the connector block, following the wiring diagram shown. Connect Live to **L**, Neutral to **N** and Earth to **⊕**. Note that the unit is a class 2 fitting and does not require an Earth. The Earth connector simply provides a safe place for the earth wire to be terminated or carried through to earth other fittings if used.
4. Mate up the arm into the base plate socket.
5. Secure the two parts together with the 2 screws provided.
6. Fit an appropriate lamp, 100W maximum (not supplied).
7. Secure the lid/globe section by snapping in the bottom and fastening screw(s) supplied

Typical Beam Pattern

Main Beams Detection Pattern = 110°



The lantern P.I.R. is most sensitive when a body is moving across the beam and less sensitive directly into the beam

Testing

DAY TIME TESTING

Rapidly switch the supply to the unit 2-3 times. The unit will then flash 3 times and enter the test mode. When movement is detected by the P.I.R. the lamp will illuminate for duration of 2 seconds activation. If a time period of 35 seconds has elapsed without the P.I.R. being activated, the unit will flash rapidly 3 times before entering the P.I.R. mode (Lamp will not illuminate in daytime due to internal photocell).

This test can be repeated as often as required during daytime hours.


Remember that the daytime walk test is only an approximate guide to the actual sensitivity because of higher background temperatures during the day.

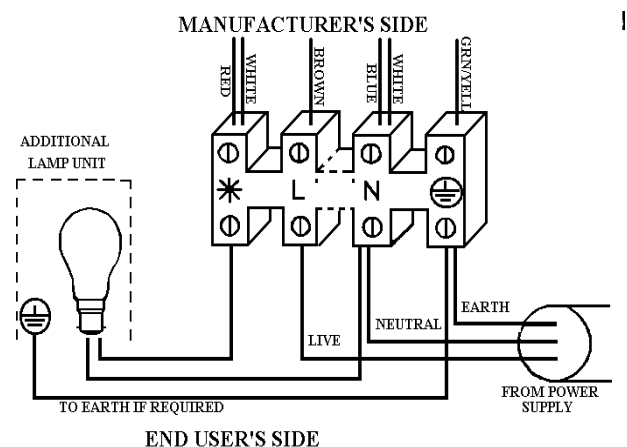
P.I.R. MODE

After permanently switching on the mains supply allow 40 seconds for the unit to stabilise. After which the unit will rapidly flash 3 times before entering the P.I.R. mode.

Fitting a Slave unit

This unit can control additional fittings. Simply connect the additional fittings between the output terminal marked * and the neutral terminal marked 'N'.

Maximum total load is 250W. See diagram below. If the slave unit requires an earth ensure that this is connected to the terminal marked .

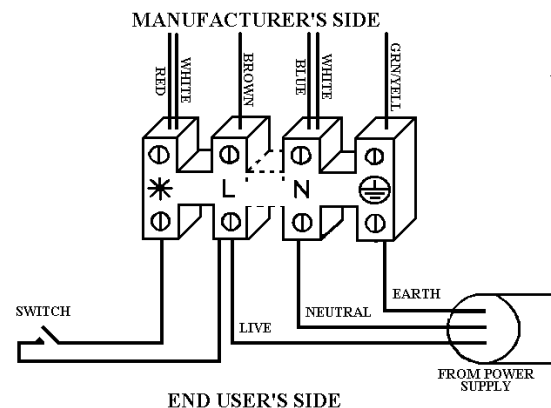


Weather proofing

The unit is designed to IP44. Ensure that the wall mounting screws and cable entries are sealed with silicon sealant (not supplied).

Manual Override

1. The Lanterns can be used continuously if required. Two ways of achieving these are: - After stabilisation rapidly switch the supply to the unit 2-3 times. The unit will flash slowly 3 times before entering CONSTANT OPERATION MODE. The unit will remain in this mode for approximately 8-hours before entering the P.I.R. mode.
2. To return unit to its P.I.R. mode. Turn the supply off for 1 minute. Turn the supply on and leave to stabilise for 4 minutes.
3. Wire an ON/OFF switch (5 amps) between the output terminal marked * and the live terminal marked 'L'. Check wiring before



Further Advice

IF IN DOUBT WITH INSTALLATION CONTACT A QUALIFIED ELECTRICIAN. The manufacturer reserves the right to improve the product specification without prior notice.