

Aura eco 125

Toilet, en-suite and bathroom ventilation



Key Features

- Axial fan
- Ventilation up to 115 m³/hr
- Slim compact styling
- Quick and easy to fit
- Quiet - 31 dB(A)
- Low watt motor - 9.3w
- Low SFP - 0.3 W/l/s
- Compatible with 125mm ducting
- IPX4 rating
- Complies with Building Regulations
- 2 year warranty



SWITCHING



TIMER



HUMIDITY



MOTION
SENSOR

Aura eco 125

Highly reliable, low energy fan in a modular design for ease of installation and maintenance. The Aura eco 125 is designed to provide quiet extraction in a suitable application.

The fan comes in various control options and is recessed into the wall. The Aura range of fans are slim, compact, attractively styled, are easy to wipe clean and are ideal for through the wall installations.



Models

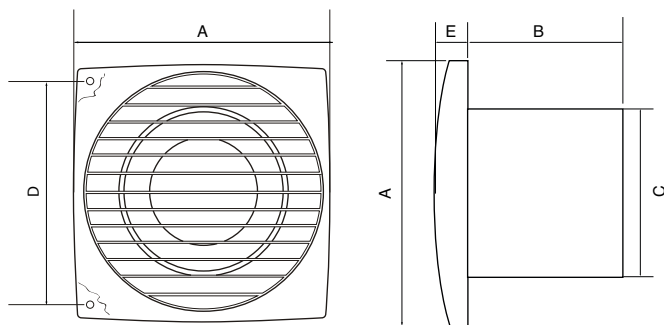
Basic	Control by Remote Switch
Timer	Timer can be set to run on between 2 and 30 minutes
Humidity Timer	Humidity sensor can be set between 60 - 90% RH
Motion Sensor Timer	PIR sensor activates fan



Technical Data

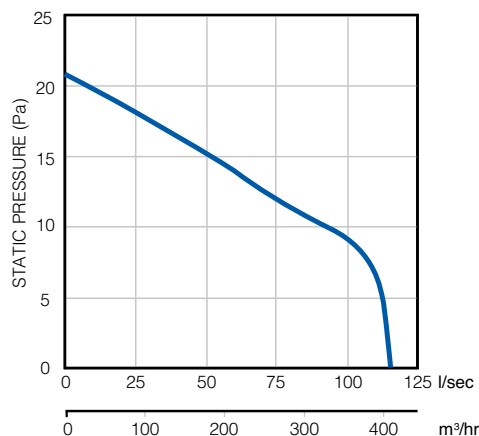
Specification	Aura eco 125B	Aura eco 125T	Aura eco 125HT	Aura eco 125MST
Air flow m³/hr / l/sec	115 / 31	115 / 31	115 / 31	115 / 31
Fan type	Axial	Axial	Axial	Axial
Controls	Basic	Timer	Humidity Timer	Motion Sensor Timer
Mounting	Wall / Ceiling	Wall / Ceiling	Wall / Ceiling	Wall / Ceiling
Sound pressure dB(A)@3m	31	31	31	31
Power watts	9.3	9.3	9.3	9.3
Amps	0.060	0.060	0.060	0.060
Specific Fan Power (SFP)	0.30	0.30	0.30	0.30
Duct diameter (mm)	125	125	125	125
Voltage	230v / 1ph / 50-60Hz	230v / 1ph / 50-60Hz	230v / 1ph / 50-60Hz	230v / 1ph / 50-60Hz
Rating	IPX4	IPX4	IPX4	IPX4
Material finish	Plastic	Plastic	Plastic	Plastic
Weight (kg)	0.7	0.7	0.7	0.7
Dimensions (H x W x D) mm	176 x 176 x 104	176 x 176 x 104	176 x 176 x 104	176 x 176 x 104
Part No.	90000532	90000533	90000534	90000535

Dimensions (mm)



Model	A	B	C	D	E
Aura eco 125	176	87	125	144	19

Performance



Controls and Accessories

A range of accessories including flexible and rigid ducting kits, controls, switches and grilles are available.

Call: 01494 560800

Visit: airflow.com



Airflow Developments Limited
Aidelle House, Lancaster Road,
Cressex Business Park,
High Wycombe, Buckinghamshire,
United Kingdom, HP12 3QP

E-mail: info@airflow.com
Telephone: +44 (0) 1494 525252

airflow.com

© Airflow Developments Limited. Airflow Developments Limited reserve the right, in the interests of continuous development, to alter specifications without prior notice. All orders are accepted subject to our conditions of sale which are available on request.

