



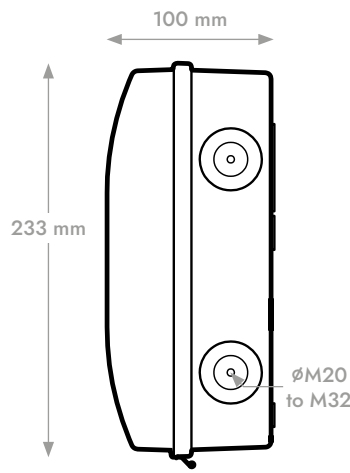
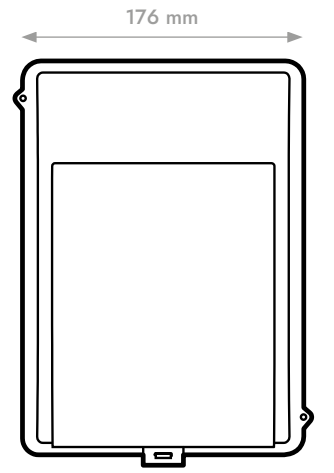
EV circuit protection Datasheet - IP65 external

Designed specifically for use with EV chargers to allow for external wiring applications.
18th Edition Amendment 2 compliant.



RANGE FEATURES & SPECIFICATIONS

CODES :	CFEV1A	CFEV2	CFEV1RDA
POPULATED WITH :	1x 40A 30MA DOUBLE POLE TYPE A RCD, 1x TYPE 2 SPD, 1x 32A MCB FOR SPD, 1x 40A B CURVE MCB	1x 100A MAIN SWITCH, 1x TYPE 2 SPD, 1x 32A MCB FOR SPD, 1x 40A B CURVE MCB	1x 40A 30MA TYPE A RCBO DOUBLE POLE, 1x 100A MAIN SWITCH, 1x TYPE 2 SPD, 1x 32A MCB FOR SPD
INCOMER :	40A 30MA TYPE A RCD	100A MAIN SWITCH	100A MAIN SWITCH
MODULES / WAYS :		5 MODULE / 5 WAYS	
IP RATING / UV STABILITY:		IP65 / UV STABLE	
COMPLIANCE :	18TH EDITION AMENDMENT 2 BS7671		
STANDARDS :	MAIN SWITCH IEC/EN 60947-3, MCB IEC/EN 60898, RCD IEC/EN 61008, RCBO IEC/EN 61009-01, SPD IEC 61643-11, ENCLOSURE IEC 61439-3		
CONSTRUCTION & COLOUR :	2 MM CAST ALUMINIUM - ADC12, RAL 7016 ANTHRACITE GREY		
SECURITY :	ENCLOSURE CAN BE WIRE SEALED TO STOP THE FRONT COVER BEING REMOVED BY USING BUILT-IN TABS AND HOLES (SEALS NOT SUPPLIED)		
COVER BLANKS :	1		
CUTOUTS & KNOCKOUTS :	M20, DRILLABLE TO M32. TOP & BOTTOM x3, SIDES x2, BASE x1		
WEIGHT :	2 KG		



View the full range at syncev.co.uk

Information correct as of 12/2022