



# MATTIRA

---

## ELECTRIC BOILERS

HEATING AND DOMESTIC HOT WATER

# About us

ELNUR was founded in 1973 and since then, we have established ourselves as one of the leading European providers of the most efficient heating system in the world: electric heating.

With facilities spanning over 20,000 m<sup>2</sup>, an extensive general and technical team and a complete range of products developed to meet the highest expectations of our customers at ELNUR we provide you with the most efficient heating solutions in an ever-changing world.

ELNUR at their premises has total control over the production process:

Our metal working stations with the latest technology, gives us the control and the opportunity to get the best quality from every single component.

The fully automated electrostatic powder coating station, guarantees a perfect finish of our products, fully resistant to aging and corrosion.

Five assembly lines assure a year-round service of more than 150.000 thermal inertia radiators, 40.000 storage heaters and 30.000 convectors and other electric heating devices.

ELNUR customer service is a must in our continuous improvement approach:

One of our foundations is our capability to deliver final goods. We keep a minimum of 3 months stock; this allows us to distribute our products to any part of the world in less than 48 hours.

Another foundation is the proximity to our customers. Our work in training and customer qualification, as well as ELNUR after-sales service is essential to maintain this high product and service standard in the market.

40 years on, we maintain the same enthusiasm and commitment to offering a wide range of unique products which can cater for the varying needs of our customers, wherever in the world they may be.

With a commercial presence in more than 35 countries, and a strong exclusive distribution network in 15 of these, we have gained a presence in thousands of homes, always offering the best solution in electric heating.

Our greatest wish is for our customers to have the luxury of experiencing excellence by using our GABARRÓN range of products, which are guaranteed to bring real warmth and comfort to your home.



*“Let us invite you to meet ELNUR and experience the values and benefits that our GABARRÓN products will bring to your life.”*



04 Electric Boilers

20 Unvented Water Cylinders

28 Wifi Controls

32 Accessories

35 Contact

**—NEW—**  
**ELECTRIC BOILERS**  
**—EXPERIENCE—**



MATTIRA

**Gabarrón**  
Manufacturing Excellence

*“Trying to decide on the best central heating for your home? Feel the perfect experience of comfortability with Mattira Modulating Electric Boilers, a safe and warm ambience in your home.”*

## Mattira, one of the safest and most reliable electric boilers on the market

Elnur presents Mattira, the new electric boiler range to cover your Domestic Hot Water and Heating needs. Mattira is the ideal option when a totally safe and reliable efficient central heating system is required.

It is the perfect solution for properties with no access to a mains gas supply or homes which have gas boiler restrictions.

With this new range of digital electric boilers, GABARRÓN offers you the opportunity to enjoy the safety and convenience of electricity. Mattira is the ideal option when a totally safe, reliable and efficient central heating system is required.

Our digital electric boilers are the only ones on the market that regulate energy consumption according to the heating needs of the installation, taking into account not only the ambient temperature, but also the external temperature.

Mattira ensures the optimum comfort in your home, with the maximum running cost savings thanks to its Modulation and AutoHeating Regulation features.

The modulating feature of our electric boilers is managed by a Smart Electronic

**Modulating System (SEM).** It applies TRIAC technology combined with an external chrono thermostat to continuously adapt the heating capacity to the heating needs of the premises, thus achieving 100% energy efficiency and overall savings in energy costs.

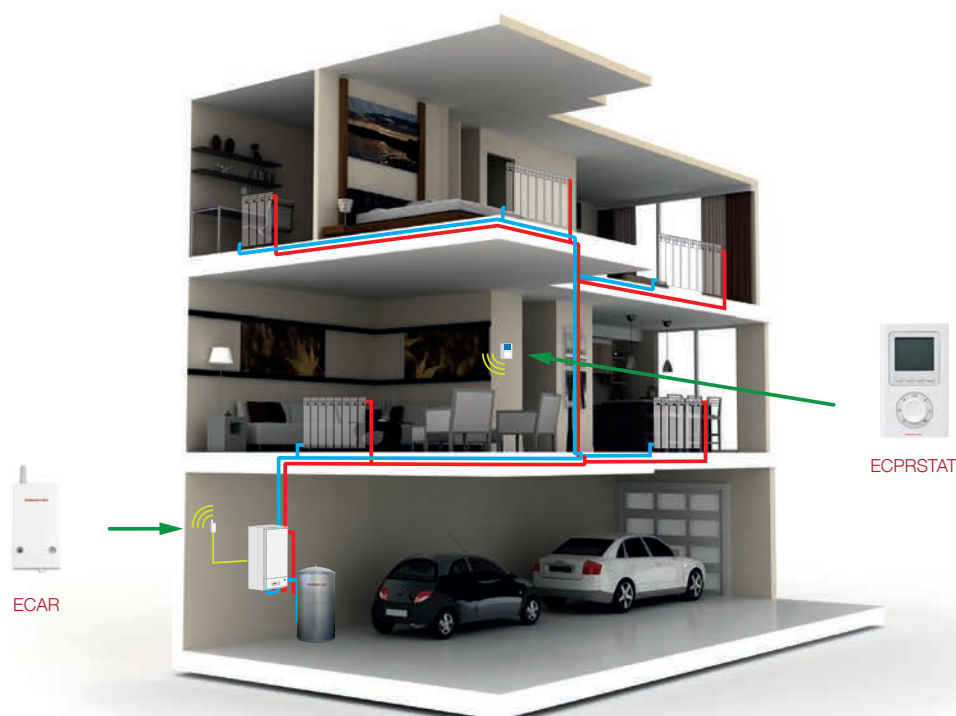
Another feature managed by the SEM System is the **Heating Modulation.** It is possible to regulate the temperature at which the boiler drives the water heating circuit depending on the outdoor temperature. This method of regulation provides maximum comfort as it anticipates changes in the thermal needs of the house.

These features and the fact that, Mattira electric boilers modulate in steps of 1 kW, reduce any possibility of energy waste to

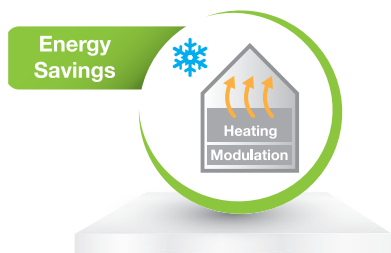
the minimum offering you the maximum comfort in your home.

These boilers can be installed on single or three-phase electric supplies by using a bridge included with the boiler. All Mattira electric boilers can be limited to any output between 3 and 12kW on single phase supplies and up to 15kW on three-phase supplies.

None of our boilers emit gases or direct pollution when operating. They do not operate using fuels such as gas or diesel and there is therefore no risk of leaks or explosions.



## Main features and benefits



### Heating Modulation

---

The advanced control board on the boiler will automatically modulate the heating output to the demand required to save energy. This modulating feature of GABARRÓN electric boilers is managed by a Smart Electronic Modulating system (SEM system) which recalculates every 20 seconds in order to regulate the consumption depending on the real heat demand. It applies TRIAC technology combined with an external chrono-thermostat to continuously adapt the heating capacity to the heating needs of the premises, thus achieving 100% energy efficiency and overall savings in energy costs.



### Auto Heating Regulation

---

Additionally, it is possible to regulate the temperature at which the boiler drives the water heating circuit depending on the outdoor temperature. This method of regulation provides maximum comfort as it anticipates changes in the thermal needs of the house. The room thermostat continues to regulate the temperature inside the house. The connection of an external temperature sensor is required to activate this mode.



### Easy Installation

---

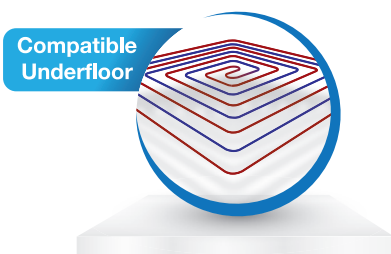
Gabarron Mattira electric boilers come fitted with all the components required to operate the unit, including a template for an ease of installation. Installation is quick and easy and can usually be completed in a single day.



### 5 Years Guarantee

---

Your new Gabarron Mattira electric boiler from Elnur is warranted against faulty materials and manufacture defects. This warranty will give you total peace of mind and protection. Full terms and conditions of the warranty are detailed in the manual supplied with the boiler which can also be downloaded from our website - [www.elnur.co.uk](http://www.elnur.co.uk). The internal unvented hot water cylinder is warranted against faulty materials and manufacture defects for a period of 5 years from the date of purchase. The remainder of components are warranted against faulty materials and manufacture defects for a period of 2 years.



### Compatible with Underfloor Heating

---

The entire range of GABARRÓN boilers can be used with hot water radiators or with radiant floor or overhead heating. In addition, Mattira boilers can be installed in combination with other heating systems such as thermal solar panels, heat pumps, etc...

*“Mattira offers you the best reliability, safety and comfortability in your home  
Buy now and start to enjoy!”*

---

### Legionella Protection

The new Mattira Combi Boilers include our “Legionella Protection” system. If this function is activated, the DHW temperature is raised once a week to the maximum allowed, preventing Legionella growth through water temperature control.



---

### Frost Protection Mode

It is possible to select an anti-freeze mode for frost protection during periods of inactivity. By selecting the frost protection mode, the heating system will activate automatically if the boiler temperature falls under 8°C.



---

### Digital Display

Mattira boasts an intuitive and user friendly digital display. The digital display constantly shows the temperature of the circulating heating water and of the domestic hot water tank (DHW) in combi boilers. Heating and DHW are independent modules, this means that we can turn off the heating and only keep the DHW or vice versa. In both displays the keyboard lock can be activated to avoid changes being made.



---

### Building Regulations G3 compliant

The Mattira Combi boiler incorporates a 50 litre unvented hot water store to optimise hot water performance. As such, careful consideration to the boiler design has been taken to ensure that the Mattira Combi Boiler incorporates all components and operates in full compliance with G3 of the Building Regulations.



---

### Erp Compliant

The objective is to reduce adverse and greenhouse gas emissions to limit the environmental impacts throughout the life-cycle of a product, with emphasis placed on the design and development stages of a product with a view to improving its energy efficiency.



*“Since September 2015, the ErP labels also apply to heating products such as boilers, cylinders and water heaters.”*



## Energy Related Products (ERP) Directive 2009/125/EC

To improve energy efficiency and environmental protection, the ErP Directive which is an European legislation as part of CE marking, applies to products that affect energy consumption throughout their life cycle from manufacture, use and until their end of life.

With the introduction of the ErP Directive in September 2015, it is important that all heating professionals are compliant when installing and manufacturing commercial heating solutions.

The Ecodesign of Energy Related Products Directive 2009/125/EC is a framework directive which primarily focuses on energy in use. It does this by setting minimum requirements for certain energy consuming products.

The objective is to reduce greenhouse gas emissions and other adverse effects to limit the environmental impact throughout the life-cycle of a product, with emphasis placed on the design and development stages of a product with a view to improving its energy efficiency.

The “20:20:20” targets set by the EU will have to be met by 2020:

---

A 20% reduction in EU greenhouse gas emissions from 1990 levels.

---

Raising the share of EU energy consumption produced from renewable resources to 20%.

---

A 20% improvement in the EU’s energy efficiency.

---

In the same way that the objectives above are established to reduce greenhouse gas emissions and other adverse effects to limit the environmental impact, ErP aims to act as a cost saving measure by reducing the amount of energy consumers’ use. ErP also aims to give manufacturers potential to improve their environmental impact.

### Non Compliance

The National Measurement Office will carry out the day to day enforcement of ErP through product testing and market surveillance. Any manufacturer or installer found to be selling non-compliant products could face legal action and potentially criminal prosecution.

### Sources

<https://www.gov.uk/guidance/placing-energy-related-products-on-the-uk-market>  
[http://ec.europa.eu/energy/efficiency/ecodesign/eco\\_design\\_en.htm](http://ec.europa.eu/energy/efficiency/ecodesign/eco_design_en.htm)





## 100 % Safe

Electric heating is one of the cleanest and safest systems nowadays.

None of our boilers emit gasses or direct pollution when they are operating. They do not operate using fuels such as gas or diesel and therefore, there is no risk of leaks or explosions.

GABARRÓN boilers do not require complex maintenance and they are even programmed to prevent the blocking of the circulation pump due to stagnant water after long periods of inactivity. The Anti-Blocking Control will run for short bursts of time during periods of inactivity.

The stainless steel water tank of the combi boiler models guarantees a long corrosion-free life, reducing the need for periodic servicing and replacement of anodes.

The different sensors that come with this range of boilers, such as the temperature, flow and consumption sensor, guarantee a safe operating performance.



# MATTIRA COMBI

*Digital Modulating Electric Boiler,  
for heating and domestic hot water*



**MAC15**  
Wall mounted

## Features

---

Heating boiler made of insulated steel.

---

Modulating electronic control of the heater by **SEM system** (Smart Electronic Modulating system).

---

50L DHW tank made of insulated stainless steel, CFC free.

---

Stainless steel shielded elements - INCOLOY800 for heating and DHW.

---

6L heating expansion vessel.

---

2L DHW expansion vessel.

---

Modulating electronic control of the heater.

---

Pressure gauge 0-4bar.

---

Circulating pump.

---

Auto air vent.

---

Silent TRIAC power switches.

---

Auto Heating Regulation mode.

---

Heating flow detector.

---

Heating temperature limiter 100°C.

---

DHW temperature limiter 80°C.

---

Heating 3 bar relief valve.

---

DHW 7 bar relief valve.

---

Also suitable for use with under floor heating.

---

DHW anti-electrolysis hoses.

---

Powder coated RAL 9010.

---

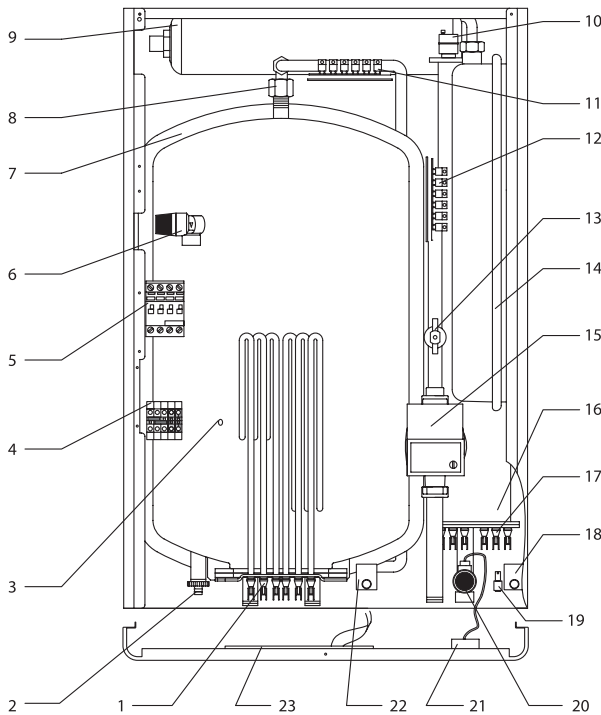
Wall bracket steel template to set up connections easily.

---

Compatible with Ambient Thermostats TA4D, CTP10, X3D and the Elnur Connected range of internet thermostats, all available as accessories.

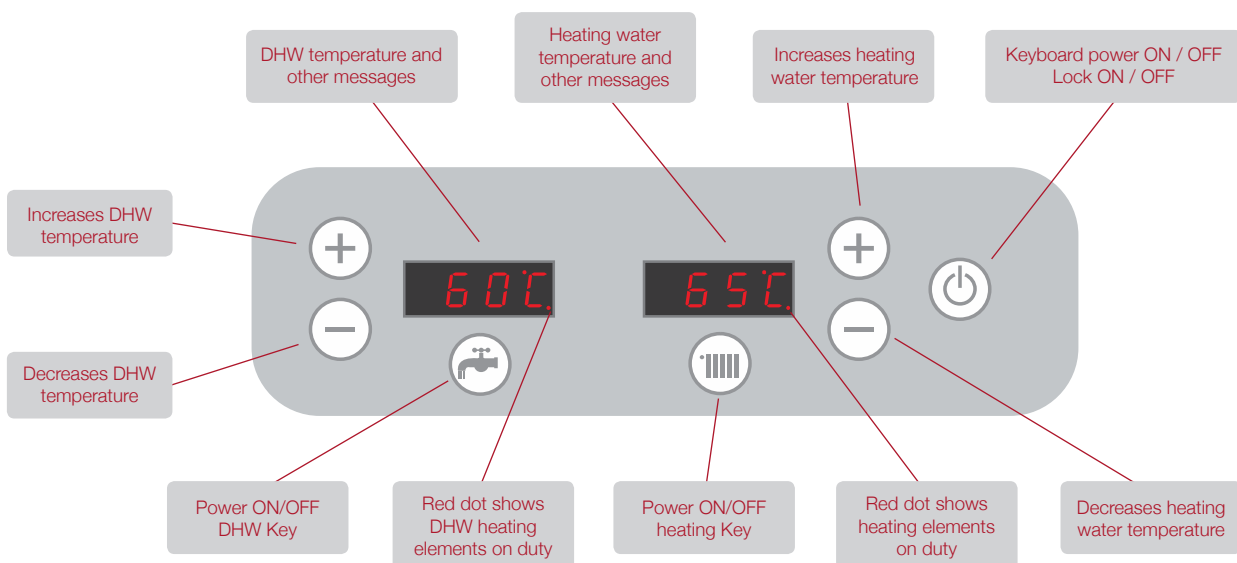
---

## Main Components



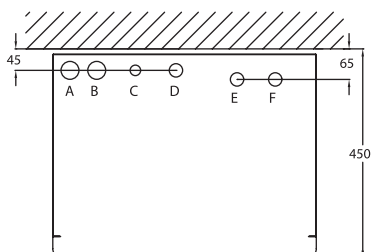
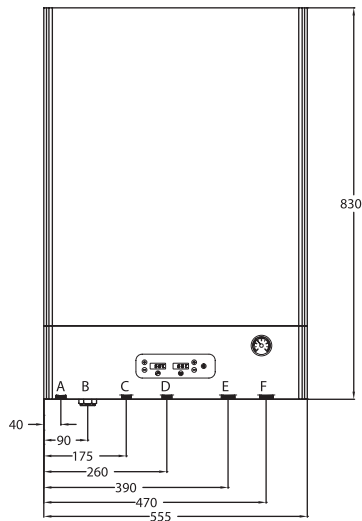
- 1 DHW resistance.
- 2 Drain valve.
- 3 Temperature sensor location.
- 4 Connection block.
- 5 Main contactor.
- 6 DHW 7 bar relief valve.
- 7 Insulated tank 50L.
- 8 Anti-electrolysis DHW hose.
- 9 DHW expansion vessel 3L.
- 10 Automatic purge.
- 11 DHW power electronic PCB.
- 12 Heating power electronic PCB.
- 13 Heating flow detector.
- 14 Heating expansion vessel 6L.
- 15 Circulation pump.
- 16 Insulated heating header tank.
- 17 Heating resistance.
- 18 Heating safety thermal limit switch.
- 19 ON/OFF switch.
- 20 Heating 3 bar relief valve.
- 21 Pressure gauge.
- 22 DHW safety thermal limit switch.
- 23 Main electronic PCB.

## Control panel





## Technical Specifications



Wall mounted

## MATTIRA COMBI MAC15

*Digital Modulating Electric Boiler,  
for heating and domestic hot water*

### Dimensions and connections:

- A - Safety valve drain DHW
- B - Electrical connection
- C - Cold water input 1/2"
- D - DHW outlet 1/2"
- E - Heating flow 3/4"
- F - Heating return 3/4"

*“Trust Mattira and feel the comfort of a safe and reliable digital electric boiler at home.”*



MODEL	MAC15												
Selectable output	kW	3	4	5	6	7	8	9	10	11	12	13	15
kcal/h	kcal/h	2580	3440	4300	5160	6020	6880	7740	8600	9460	10320	11180	12900
Current 3x400 V+N~	L1 A	13.0	0	8.7	8.7	8.7	13.0	13.0	13.0	21.7	8.7	21.7	21.7
	L2 A	0	8.7	13.0	8.7	13.0	8.7	13.0	8.7	13.0	21.7	21.7	21.7
	L3 A	0	8.7	0	8.7	8.7	13.0	13.0	21.7	13.0	21.7	13.0	21.7
*Current 230 V~	A	13.0	17.4	21.7	26.1	30.4	34.8	39.1	43.5	47.8	52.2	Ask	Ask
**DHW Recovery time	min	29'04"	21'48"	17'26"	14'32"	12'27"	10'54"	9'41"	8'43"	7'56"	7'16"	6'42"	5'49"

\*Using included bridge connection

\*\*Recovery time in minutes to heat DHW from cold to 55°C.

MODEL	MAC15	
Voltage	V	3x400 V+N / 220-240
Frequency	Hz	50-60
Insulation		Class I
Net Weight	kg	61
EAN 13		8432336804663



# MATTIRA SYSTEM

*Digital Modulating Electric Boiler,  
Heating Only*



**MAS15**  
Wall mounted

## Features

---

Wall mounted heating boiler made of insulated steel.

---

Modulating electronic control of the heater by **SEM system** (Smart Electronic Modulating system).

---

Stainless steel shielded elements - INCOLOY 800.

---

6L heating expansion vessel.

---

Auto Heating Regulation mode.

---

Pressure gauge 0-4bar.

---

Circulating pump.

---

Auto air vent.

---

Silent TRIAC power switches.

---

Heating flow detector.

---

Heating temperature limiter 100°C.

---

Heating 3 bar relief valve.

---

Also suitable for use with under floor heating.

---

Powder coated RAL 9010.

---

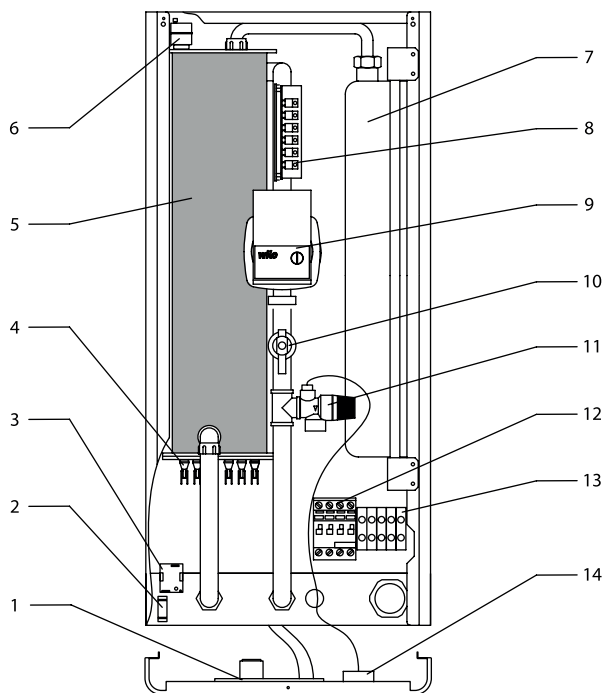
Wall bracket steel template to set up connections easily.

---

Compatible with Ambient Thermostats TA4D, CTP10, X3D and the Elnur Connected range of internet thermostats, all available as accessories.

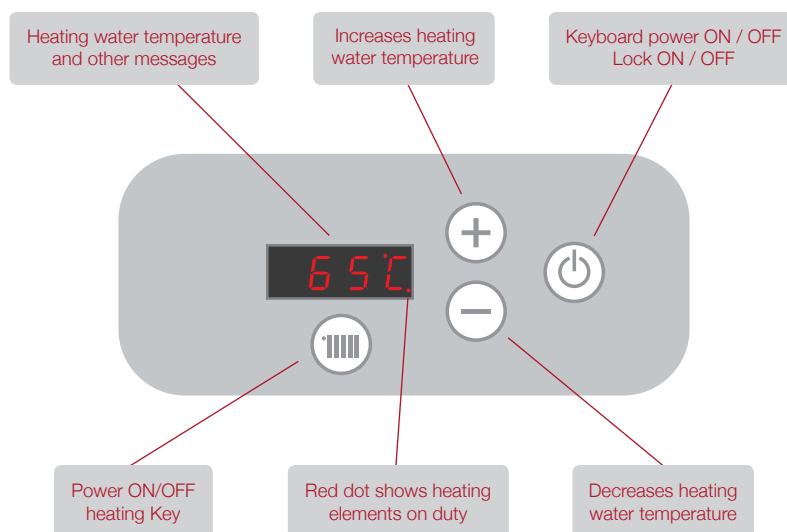
---

## Main Components



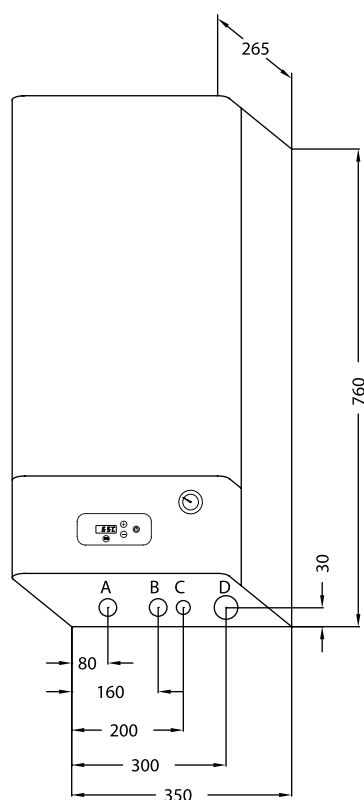
- 1 Main electronic PCB.
- 2 ON / OFF switch.
- 3 Heating safety thermal limit switch.
- 4 Heating resistances.
- 5 Insulated heating header tank.
- 6 Automatic purge.
- 7 Heating expansion vessel 6L.
- 8 Heating power electronic PCB.
- 9 Circulation pump.
- 10 Heating flow detector.
- 11 Heating 3 bar relief valve.
- 12 Main contactor.
- 13 Connection block.
- 14 Pressure gauge.

## Control panel





## Technical Specifications



Wall mounted

## MATTIRA SYSTEM MAS15

*Digital Modulating Electric Boiler,  
Heating Only*

### Dimensions and connections:

- A - Heating flow  $\frac{3}{4}$ "
- B - Heating return  $\frac{3}{4}$ "
- C - Safety valve drain
- D - Electrical connection



*“Renowned Elnur quality and reliability to meet the heating demands of modern family life.”*



MODEL		MAS15											
Selectable output	kW	3	4	5	6	7	8	9	10	11	12	13	15
	kcal/h	2580	3440	4300	5160	6020	6880	7740	8600	9460	10320	11180	12900
Current 3x400 V+N~	L1 A	13.0	0	8.7	8.7	8.7	13.0	13.0	13.0	21.7	8.7	21.7	21.7
	L2 A	0	8.7	13.0	8.7	13.0	8.7	13.0	8.7	13.0	21.7	21.7	21.7
	L3 A	0	8.7	0	8.7	8.7	13.0	13.0	21.7	13.0	21.7	13.0	21.7
*Current 230 V~	A	13.0	17.4	21.7	26.1	30.4	34.8	39.1	43.5	47.8	52.2	Ask	Ask

\*Using included bridge connection.

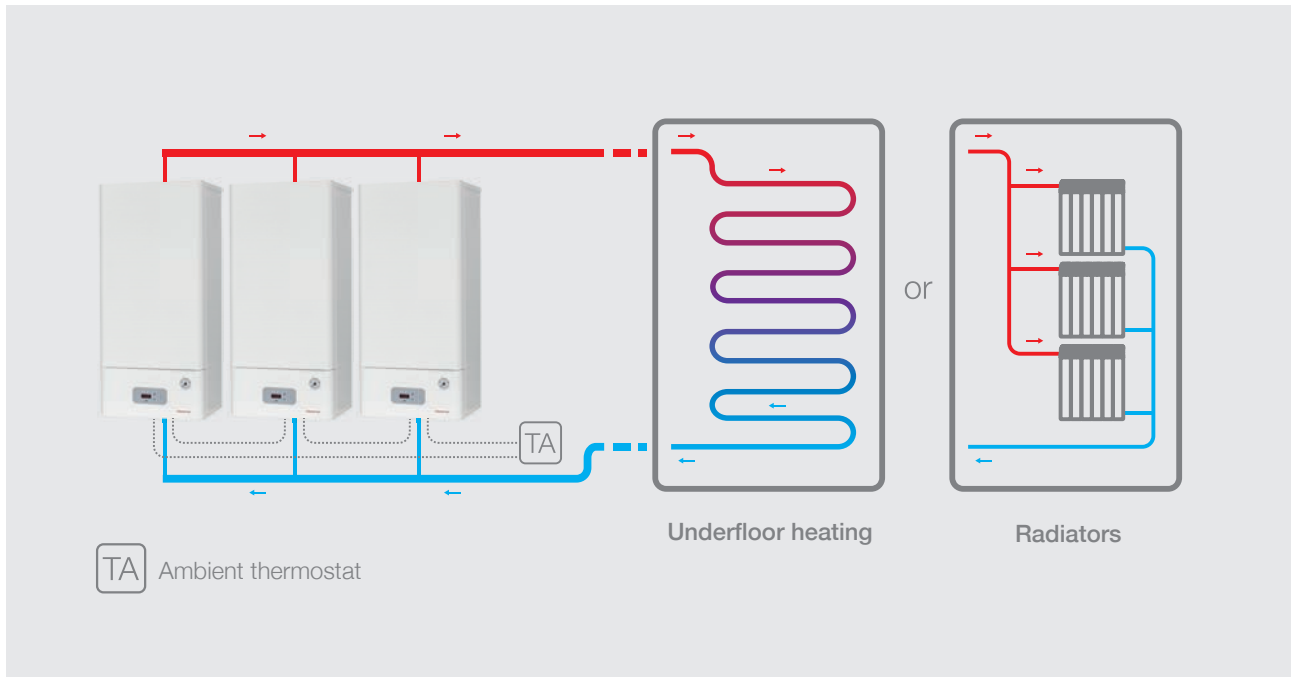
MODEL		MAS15
Voltage	V	3x400 V+N / 220-240
Frequency	Hz	50-60
Insulation		Class I
Net Weight	kg	29.5
EAN 13		8432336804700

# INSTALLATIONS

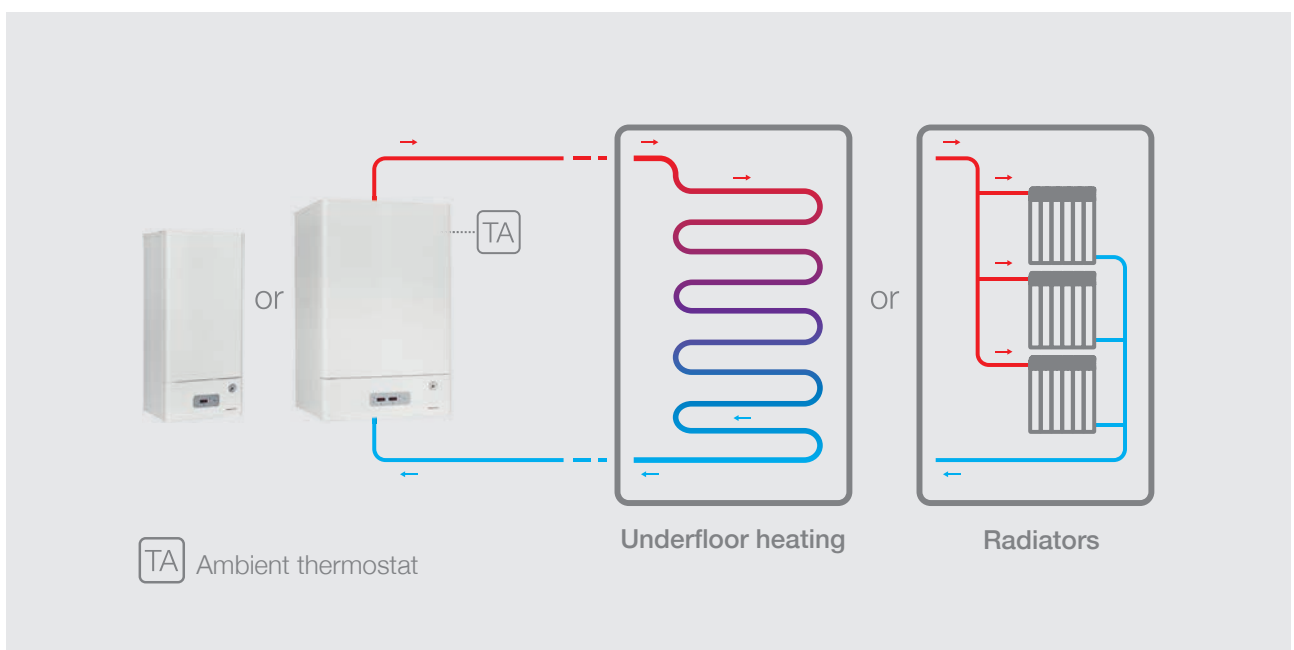
Gabarrón boilers can be used as support for alternative energy systems such as, heat pumps, solar systems, pellets, etc... They can also be used as an additional heat source to raise the water temperature higher than allowed by the main system.

## Parallel operation

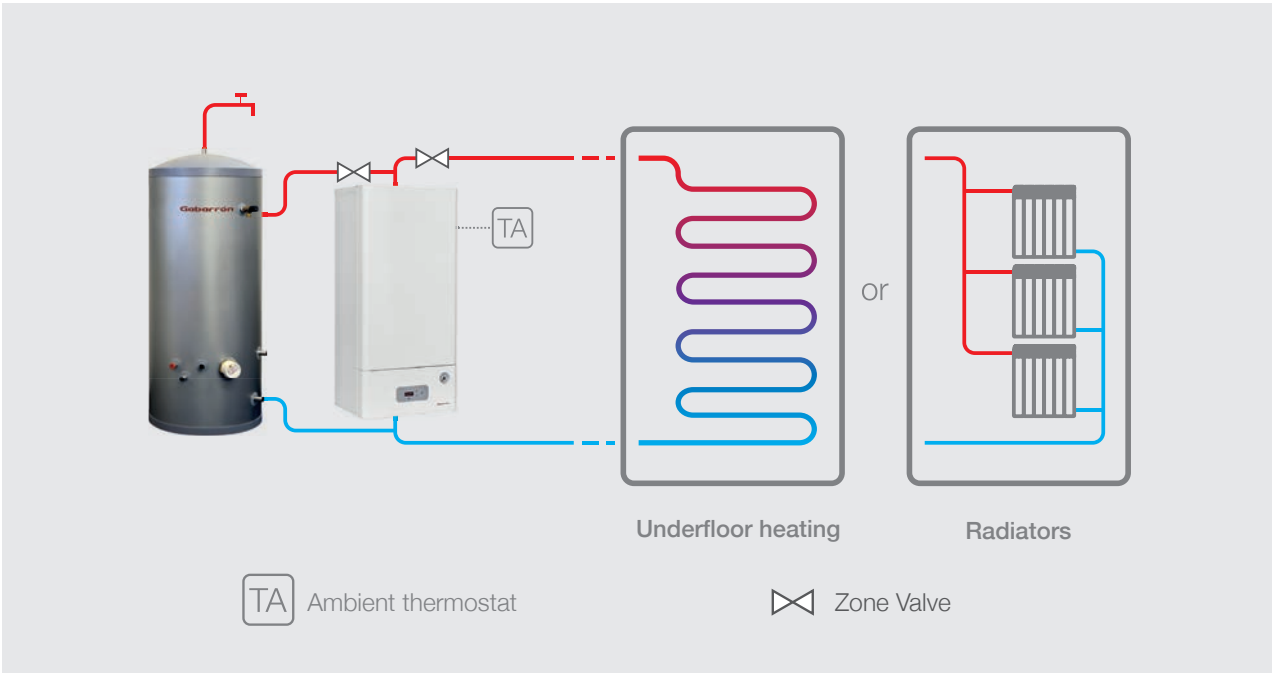
For larger installations, several Gabarrón boilers can be installed in parallel.



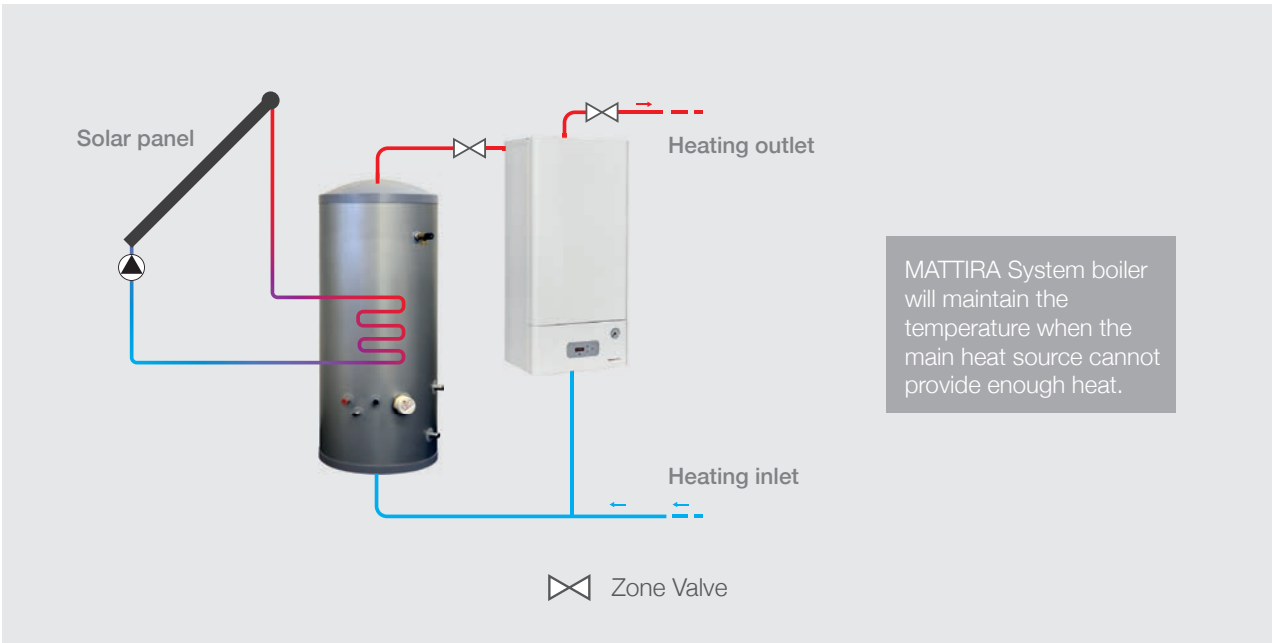
## Only heating or combi boilers (heating + DHW)



Heating Boiler and large capacity DHW cylinder



In addition to alternative heating systems and to complement alternative systems of DHW, and also to provide heating



# UNVENTED WATER CYLINDERS

DIRECT AND INDIRECT



# MATTIRA STORAGE

**Gabarrón**  
Manufacturing Excellence

*“Properties with a high hot water demand are better suited to an indirect cylinder in conjunction with a Mattira System Boiler.”*



## Main features and benefits

The **ELNUR** name is synonymous with a family of space and water heating products that lead the field in terms of innovation and quality. We are respected for our industry leading features and benefits and our high levels of reliability and service.

The **GABARRÓN** unvented cylinder is an unvented mains pressure store in Duplex stainless steel that establishes new criteria for quality, performance and life.

### DISTINGUISHED ADVANTAGES

Providing powerful, mains-pressure performance, the GABARRÓN unvented water cylinder range incorporates high flow rate controls, ideal for multi bathroom homes where baths fill very quickly. There are Indirect and Direct patterns for gas/oil and electricity with model sizes from 90 litres to 300 litres in each pattern.

### DUPLEX STAINLESS STEEL

The GABARRÓN water cylinder uses the very latest high specification Duplex to resist all forms of corrosion including crevice and stress whilst its high mechanical strength gives it durability.

The very latest automated welding procedures along with full post weld treatments guarantee welds that are as strong as the parent metal. GABARRÓN water cylinders are pressure tested in the factory to a full 12 bar which is four times the normal working pressure.

### HEAT LOSS

All GABARRÓN unvented cylinders are manufactured using the very latest HCFC free EnviroFoam insulation. This has an Ozone Depletion Potential (ODP) of zero and an industry leading Global Warming Potential (GWP) of 0.7.

Tests show that the 50mm of EnviroFoam insulation injected into the case and covering both domes achieves astonishingly low levels of heat loss, which ensures it is fully compliant with 2010 Part L requirements for both new build and replacement cylinders.

### CORRUGATED COIL

Elnur use a high heat transfer corrugated tube heat exchanger to give a 20% faster recovery than plain tube. It is also lighter and stronger than plain tube making the vessel the lightest and easiest to handle on site.

### SERVICE AND GUARENTEE

Buying a good reputable product is critical – but it must be available when needed. Elnur hold all stock at our main UK warehouse and with our finely tuned distribution service, operate a next day delivery service to merchants for orders placed before 12pm.

The 25 year guarantee underlines the usual Elnur confidence in its own products.

The range of unvented cylinders are all manufactured using only the highest grade of stainless steel, making for strong and durable containers you can rely on.





## Main features and benefits

### QUALITY STANDARD - EN12897

All GABARRÓN cylinders are manufactured in accordance with BS EN12897 the specification for unvented water storage vessels. The cylinders have been tested by NSF-WRc and WRAS, and found to comply with Building Regulations G3 and Water Regulations.

The cylinder manufacturing plant also operates a Quality Management System audited and accepted by the BSI in accordance with BS EN ISO9001.

Gabarron unvented cylinders are supplied with all the quality fittings needed, according to model, including:

Immersion heater(s).

Wiring centre (indirect).

Inlet control set.

Benchmark log book.

Expansion vessel kit.

Temperature and pressure relief valve (unvented only).

Control thermostat and drain valve.

90 degree elbow on hot draw off.

2 port zone valve (indirect).

Dual thermostat (indirect).

Tundish.

Installation manual.



*“Mattira system boilers and Mattira Storage unvented hot water cylinders, offer the perfect efficient combination for availability of hot water.”*



## DIRECT AND INDIRECT

Unvented cylinders for use with a conventional boiler or electric power.

The GABARRÓN direct model is supplied with two immersions for off-peak and on-peak use (except 90 litre model which only has an on-peak immersion). Therefore, the store of water in the cylinder can be heated utilising the off-peak electricity, making the unit extremely efficient. These cylinders are the ultimate lightweight, easy to install answer for electric hot water options.

The immersion heater(s) must be connected to the supply through a double pole linked isolating switch with a minimum breaking capacity of 13A.

All tappings are within a 90° segment to make installation easier. All models have a

temperature and pressure relief valve factory set at 6 bar and 92-95°C.

The indirect range has a high efficiency corrugated tube coil which is connected to a conventional boiler to heat the cylinder of water.

The coils corrugated design gives you much faster re-heat times than can be achieved with plain tube coils. All indirect models come with an on-peak immersion but only the 250 & 300 litre models are supplied with an off-peak immersion.





Indirect



## Technical Specifications

# INDIRECT UNVENTED CYLINDERS

GABARRÓN INDIRECT TECHNICAL SPECIFICATION

Description		IND90	IND120	IND150	IND180	IND210	IND250	IND300
Energy efficiency class		B	B	B	B	C	C	C
Height	mm	745	930	1120	1305	1495	1745	1992
Diameter	mm	550	550	550	550	550	550	550
Weight (empty)	kg	19	22	26	28	33	38	44
Weight (full)	kg	109	142	176	208	243	288	344
Capacity	litres	90	120	150	180	210	250	300
Pressure regulator	bar	3	3	3	3	3	3	3
Expansion vessel size	litres	12	12	18	18	24	24	35
kW rating of primary coil	kW	16.5	18.0	18.5	19.0	20.5	21.5	25.0
Recovery time after 70% draw off	min	16	19	19	21	26	30	32
Standing losses	kWhr/24hr	0.85	1.06	1.27	1.48	1.70	1.85	2.04

GABARRÓN INDIRECT MODEL SELECTION GUIDE

Maximum hot water demand	Maximum number of bed spaces (bedrooms)	Model
1 shower room	Bedsit (0)	IND90
1 bathroom	2 (2)	IND120
1 bathroom	4 (3)	IND120
1 bathroom & separate shower room	6 (4)	IND150
1 bathroom & 2 separate shower rooms or 2 bathrooms	7 (5)	IND180
2 bathrooms & separate shower room	7 (5)	IND210
2 bathrooms & 2 separate shower rooms	7 (5)	IND250
3 bathrooms & 2 separate shower rooms	9 (6)	IND300



*“Mattira storage water cylinders comply with Building Regulations G3 and Water Regulations.”*



Direct



## DIRECT UNVENTED CYLINDERS

### GABARRON DIRECT TECHNICAL SPECIFICATION

Description		D90	D120	D150	D180	D210	D250	D300
Energy efficiency class		D	D	D	D	D	D	D
Height	mm	745	930	1120	1305	1495	1745	1992
Diameter	mm	550	550	550	550	550	550	550
Weight (empty)	kg	13	18	22	24	28	32	37
Weight (full)	kg	103	138	172	204	238	282	337
Capacity	litres	90	120	150	180	210	250	300
Pressure regulator	bar	3	3	3	3	3	3	3
Expansion vessel size	litres	12	12	18	18	24	24	35
kW rating of primary coil	kW	n/a	n/a	n/a	n/a	n/a	n/a	n/a
Recovery time after 70% draw off	min	58	90	121	157	192	224	263
Standing losses	kWhr/24hr	0.85	1.06	1.27	1.48	1.70	1.85	2.04

### GABARRON DIRECT MODEL SELECTION GUIDE

Maximum hot water demand	Maximum number of bed spaces (bedrooms)	Model
1 shower room	Bedsit (0)	D120
1 bathroom	2 (2)	D150
1 bathroom	4 (3)	D180
1 bathroom & separate shower room	6 (4)	D210
1 bathroom & 2 separate shower rooms or 2 bathrooms	7 (5)	D210
2 bathrooms & separate shower room	7 (5)	D250
2 bathrooms & 2 separate shower rooms	7 (5)	D300



*"Mattira storage water cylinders comply with Building Regulations G3 and Water Regulations."*



# COMPACT RANGE

*Storage water heaters,  
Low capacity,  
Compact version*

A range developed to fit installations which need hot water very quickly (kitchen, shower, garage, doctor's surgery etc.).

Suitable for both under or over sink installations.

These storage water heaters are especially easy to fit with one single support bracket.

## Features

Magnesium anode.

Safety valve and insulating dielectric fittings.

Shielded elements.

External control thermostat.

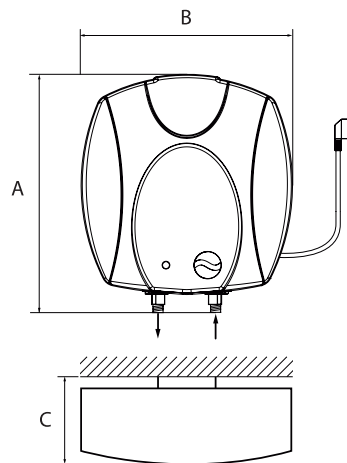
Luminous indicator.

Fitted with mains cable 1.2 m.

DHW anti-electrolysis hoses.

IPX4 protection.

Class I insulation.



## Technical Specifications

MODEL		GTS-10	GTS-15
Capacity	L	10	15
Input	W	1500	1500
Current	A	6.5	6.5
Voltage	V	220-240	220-240
Frequency	Hz	50-60	50-60
Stand-by consumption at 65°C	kWh/24h	0.49	0.57
Dimension A	cm	41	41
Dimension B	cm	36	39
Dimension C	cm	27	31
Net weight	kg	6.3	7.8
Dimensions with packaging	cm	38x41x32.5	43x44x350
Gross weight	kg	6.3	7.8
EAN 13		8432336700002	8432336700057

# ELNUR CONNECTED

THE SMART WAY TO CONTROL YOUR HEATING



# MATTIRA WIFI CONTROLS

**Gabarrón**  
Manufacturing Excellence

*“For flexibility and control, an Elnur Connected boiler will provide you with all of the features and benefits that you need to improve comfort levels and efficiency, both at and when away from the home.”*



## ELNUR CONNECTED

### Elnur Connected revolutionises the control of electric heating systems

Elnur Connected is the perfect control system for your new Mattira boiler. Easy to install and set up, the Elnur Connected boiler control system can be operated in the home or from wherever you are by using the purpose designed App on your Smartphone or Tablet.

This **SmartLife Technology** is the perfect solution for ultimate home heating efficiency and an ideal choice for houses, apartments, holiday homes and weekend cottages as well as offices, commercial properties and public meeting / community halls.



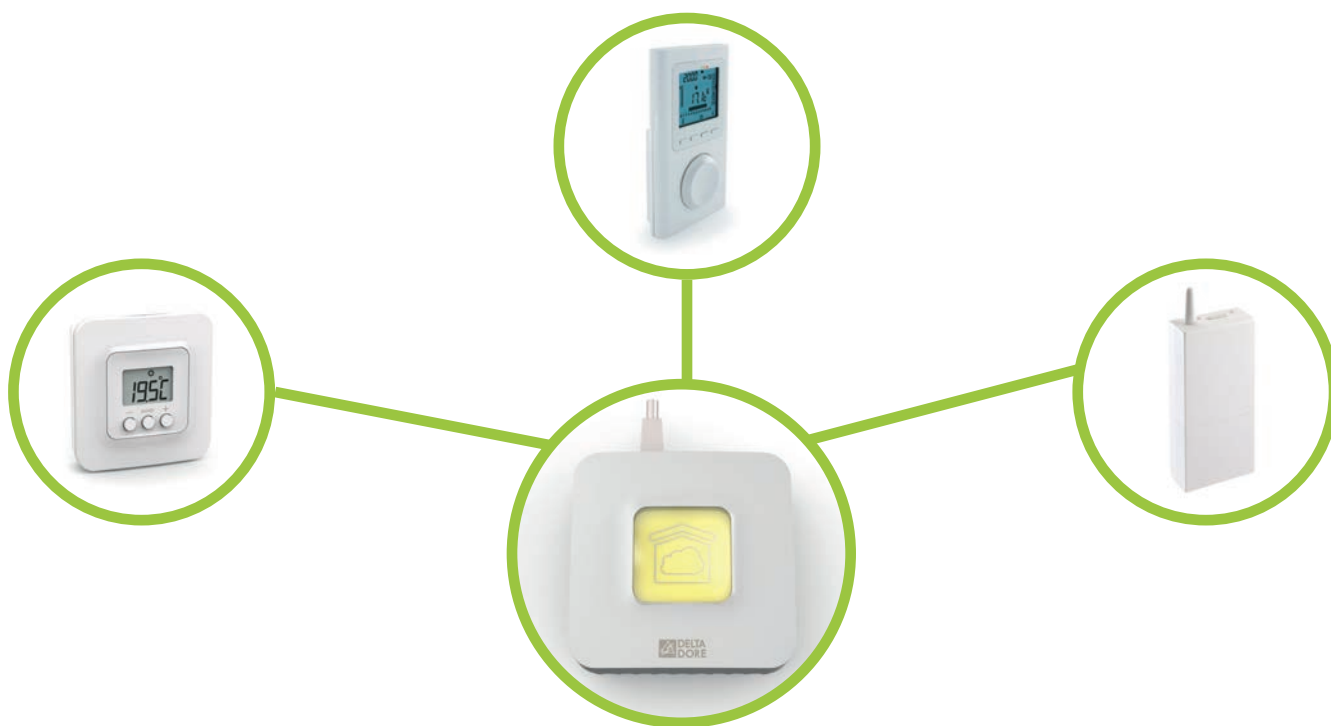
Elnur Connected Gateway



Elnur Connected Wireless Room/Zone Thermostat



Elnur Connected Boiler Link



## ELNUR CONNECTED SYSTEM

### THE SMART WAY TO CONTROL YOUR HEATING

The Elnur Connected Gateway is the beating heart of the Elnur Connected system and creates a strong internal home Wi-Fi network to control your heating system even if your internet service is down.

#### Programmable Room Stat Pack



For heating only applications, the programmable room thermostat pack provides the best mix of traditional control and up to the minute Wi-Fi connectivity.

The fully featured programmable stat allows the user set up and adjustment of their system within the home.

By wirelessly connecting to the Gateway and the Boiler Link, the programmable stat will make any adjustments to the system operation that the user desires.

With the added benefit of Elnur's SmartLife Technology, control of the programmable thermostat can now be added to your Smartphone or Tablet. Simply download the FREE "App", setup the system and control is at your fingertips, wherever you are.

#### Room Stat Pack



For heating only applications, the room thermostat pack offers the homeowner the capability of simple home control with the addition of on-the-go connectivity via a Smartphone or Tablet.

Programming of your system is provided on the Elnur Connected "App" where our Smartlife Technology allows up to 6 different time and temperature settings for each and every day.

For ultimate efficiency of your home heating system, why not add extra room stats to create a bespoke multi-zone system.

With the capability of connecting up to 16 zones, users can opt from a simple single zone to a two zone system for living spaces and bedrooms to a multi-zone system for every room.

#### S-Plan Pack



Designed for systems controlling central heating and hot water via an indirect cylinder.

The room thermostat provides simple home control over the central heating system and on-the-go connectivity via a Smartphone or Tablet.

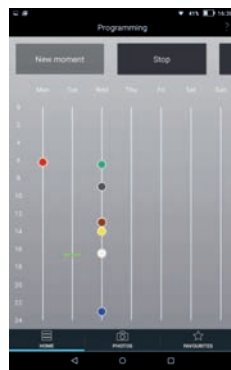
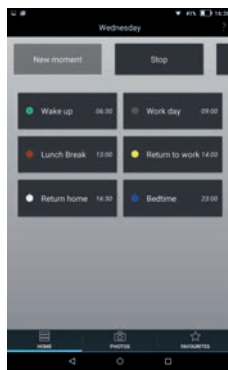
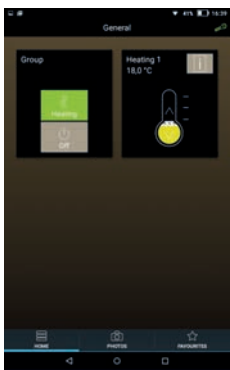
The Cylinder Stat Link will connect to any standard cylinder thermostat and allow control of times that your boiler heats the hot water cylinder.

Programming of both heating and hot water is provided on the Elnur Connected "App" where our Smartlife Technology allows up to 6 different daily time and temperature settings for heating and up to six on/off periods per day for hot water heating. Multi-zone options can also be created.

*“SmartLife Technology guarantees your Elnur Connected heating system will provide ease of control wherever you are.”*



## SMARTLIFE TECHNOLOGY



*“App” snapshots depicting a heating zone page, program overview and programming page.*

MODEL	REFERENCE	CONTENTS
Programmable Room Stat Pack	ECPACK1	Programmable Room Stat, Gateway & Boiler Link
Room Stat Pack	ECPACK2	Room Stat, Gateway & Boiler Link
“S-Plan” Pack	ECPACK3	Room Stat, Gateway, Boiler Link & Cylinder Stat Link
Add-on Room Stat Pack	ECPACK4	Room Stat & Boiler Link
Add-on Immersion Heater Pack	ECPACK5	Immersion Link

# ACCESSORIES



# MATTIRA ACCESSORIES



# TA4D

Digital ambient thermostat



**Advantages:**

- 4 pre-programmed operation modes (Comfort, Eco, Frost protection and Stop) to quickly switch from one mode to another.
- Heating demand indicator on the screen.
- Adjustable set point temperatures by 0.5°C steps to set the desired temperature.
- LCD display to quickly view mode and temperature.
- Option to display the set temperature or ambient temperature.
- Lockable keyboard to limit handling errors.

**Functions:**

- Thermostat with digital display for heating regulation.
- 4 operation modes: Comfort, Eco, Frost protection and Stop.
- Adjustable temperature.
- Lockable keyboard.

**Technical features:**

- Powered by 2 LR03 batteries (included).
- Dry Contact 2 A/230 V.
- Temperature adjustment for Comfort, Eco and Frost protection, in steps of 0.5°C.
- Mounting on wall box (60 mm).

MODEL	REGULATION	ACCURACY	DIMENSIONS
TA4D	by step 0,5°C	± 0,1°C	80x80x25 mm

# X3D

Wireless digital programmable room thermostats



ECPRSTAT  
(Transmitter)



ECAR  
(Receiver)

Thermostat with both daily and weekly programmable options allowing different combinations with three levels of temperature, Comfort, Economy and Frost-protection. Temperature control of a zone. Anti-locking function of pump (Boilers).

**Technical features:**

- Blue backlight LCD display.
- Mode selector: Comfort setting, Economy setting and Frost protection.
- Heat status indicator.
- Weekly and daily programming options.
- Program copying function available.
- Battery level indicator.
- Display of either set-point or room temperature.
- Anti-locking function of pump (Boilers).

**Transmitter, ECPRSTAT:**

- Power supply: 2 LR03/AAA Batteries (supplied).
- Insulation: Class III.
- Protection index: IP44.
- Mounting: wall mounted on a support or on flush-mounted stand.

**Receiver, ECAR:**

- Power supply: 230 V.
- Output: 16A (3500W max).
- Insulation: Class II.
- Protection index: IP44.
- Mounting: wall mounted.

MODEL	RANGE	ACCURACY	DIMENSIONS
ECPRSTAT Transmitter	+ 5°C to 30°C	± 0,25°C	135x80x20 mm
ECAR Receiver			120x54x25 mm

# CTP10

*Wired digital programmable room thermostat*



### Technical Features

Blue backlight LCD display.

Mode selector: comfort setting, economy setting and frost protection.

Heat status indicator.

Weekly and daily programming options.

Program copying function available.

Battery level indicator.

Display of either set-point or room temperature.

Anti-seizing function of pump (Boilers).

Power supply: 2 LR03 Batteries (supplied).

Output: 2A relay.

Regulation: P.I.D. or On/Off.

Insulation: Class II.

Protection index: IP30.

Mounting: wall-mounted, on a support or on flush-mounted box.

MODEL	CTP10	
Range	+5°C to + 30°C	
Accuracy	± 0.25°C	
Dimensions	cm	13.5x8.1x2.2
Certifications	CE	

# OUTDOOR SENSOR



### Advantages

To activate the “Auto Heating Regulation” mode, the connection of an external temperature sensor is required.

It is possible to regulate the temperature at which the boiler drives the water heating circuit depending on the outdoors temperature. This method of regulation provides maximum comfort as it anticipates changes in the thermal needs of the house.

These features and the fact that, Mattira electric boilers modulate in steps of 1 kW, reduce any possibility of energy waste to minimum offering you the maximum comfort at home.

MODEL	OUTDOOR SENSOR	
Range	~40°C to 80°C	
External material	Polycarbonate	
Probe	NTC	
Color	Grey	
Dimensions	cm	95x80x45

## Customer Service

The same level of demand, dedication and commitment that we offer with our products is also reflected in our customer service: personalised assistance, continuous monitoring, technical advice, project management, professional after-sales technical support...

A product manufactured in accordance with the highest level of quality performance, deserves to be complemented by excellent service.

## PROJECT MANAGEMENT

We know that many concerns may arise when it comes to evaluating your project requirements. Our Projects Department will advise you on each of the areas of your project and will offer you the best solution, taking into account potential options so that you can suggest a number of different alternatives to the end customer. Please contact us at [projects@elnur.co.uk](mailto:projects@elnur.co.uk)

## PROFESSIONAL ADVICE

In this department you can get the assistance you need in order to solve any technical concerns you may have. We will provide direct and personalised assistance, offering the support necessary to resolve any issues with installing or setting up any of our products. Email us at [advice@elnur.co.uk](mailto:advice@elnur.co.uk)

## AFTER - SALES TECHNICAL SUPPORT

ELNUR's job does not finish when the goods are dispatched. We are committed to initial development, manufacturing and customer service. And this customer service includes a professional after-sales service. We have an Authorised Technical Services Network providing effective technical assistance all over the country, irrespective of the location or the product. Do contact us at [technical@elnur.co.uk](mailto:technical@elnur.co.uk)

## CONTINUOUS TRAINING ON "Install-E Training Centres"

In line with our commitment to customers and end users, we cannot ignore the fact that professionals, need support in order to gain a complete knowledge base with regard to GABARRÓN product ranges and to the potential technical solutions that they may require for the different systems.

At ELNUR, all departments are customer-focused, offering quick and efficient solutions to any problems that may arise.

Any member of the team will be able to help you and deal with your request as quickly as possible keeping you informed at all times.

*If you have any queries, please email us at [info@elnur.co.uk](mailto:info@elnur.co.uk) or call us to the following telephone number 01942 670119.*

For this reason, we have developed a complete Training Program which includes technical training courses for each of our product ranges. These courses are taught by our best experts. Their ultimate aim is to help professionals in their daily work and for them to become more familiar with the significant advantages of installing GABARRÓN products.

To register your interest in becoming an "Authorised Installer", please contact our Tradeteam who will inform you about upcoming Mattira products Training.

If you are installer, please contact us at [tradeteam@elnur.co.uk](mailto:tradeteam@elnur.co.uk).

## QUALITY

ELNUR is fully committed to quality. We therefore have complete control over the whole manufacturing processes in the company.



ISO 9001 Quality Control Management System, which certifies the implementation and maintenance of the system through a cycle of continuous improvement in the performance of its procedures in all areas of the company, with the aim of achieving greater customer satisfaction.



ISO 14001 Environmental Management System, which guarantees that our procedures are developed in accordance with environmental care and respect throughout the production process, from the initial design to the final stages of manufacturing.



**ELNUR UK Limited**  
Unit 1, Brown Street North  
Leigh, Lancashire  
WN7 1BU  
Tel.: 01942 670119  
Fax: 01942 670462  
info@elnur.co.uk

[www.elnur.co.uk](http://www.elnur.co.uk)

**Headquarters**  
ELNUR S.A.  
MADRID (Spain)  
info@elnur-global.com  
www.elnur-global.com