

Novelda CCT LED Sign Light

Floods and Spotlights



Data Sheet

Product Information

The 3 CCT Novelda LED Polycarbonate Sign lights are a 3 in one solution for uses in exterior applications where the option to be able to adjust the colour to suit the application is required. These are ideal for Pubs, restaurants, and sign lighting applications.

Complete with a 3 year warranty



Product Features

- 3 year warranty
- Class II
- IP65
- High CRI up to Ra85
- 3 switchable Colour temperatures 3000K/4000K/6000K
- Epistar LED Chip Technology
- Supplied complete with 1000mm flex
- Adjustable head via hex bolt
- 100° beam angle
- Optional Extension Mounting Brackets (KSR6103/6104)
- L70 - 30,000hrs

Product Specification

Product Code	Product Description	Wattage (W)	CCT (K)	Lumens (lm)	CRI (Ra)	Energy Efficiency Class 2021	Protection Class
KSR6102	Novelda 14W CCT Polycarbonate Signlight	14	3000	1225	81	E	II
			4000	1340	83		
			6000	1165	85		
Accessories							
KSR6103	Novelda 520mm Bracket for KSR6102 – 20mm Thread size						
KSR6104	Novelda 220mm Bracket for KSR6102 – 20mm Thread size						

Nominal voltage	220~240VAC
Operating frequency	50-60Hz
Circuit Wattage	13.9w including Driver (4000K Output)
Circuit Current	0.07A
Driver Current Rating	270mA
PFC	0.88
In Rush Current	2.0Amps Max Peak
Start Time	< 0.5 Sec
Ambient temperature range	-15°C to +40°C
IP rating	65

Construction

Body:	Polycarbonate
Lens:	Opal Polycarbonate

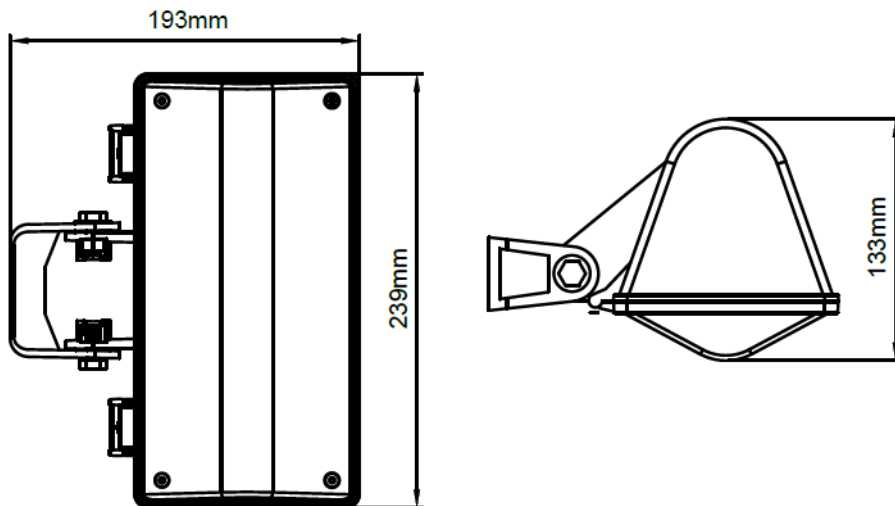
Standards

BSEN60598-1:2021 Luminaires – Part 1: General Requirements and tests

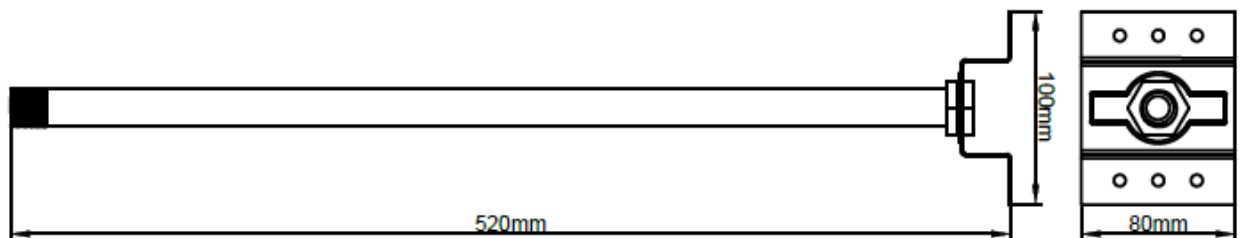
In Conformity with

LVD	Low voltage directive 2014/35/EU
EMC	Electromagnetic compatibility directive 2014/30/EU
ERP	Energy related products directive 2019/2020/EU
RoHS	Restriction of hazardous substances 2015/863/EU

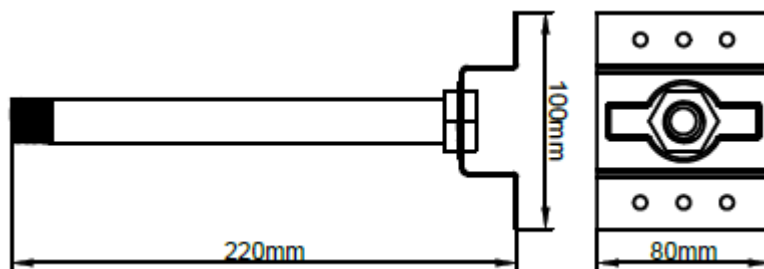
Product Dimensions



KSR6102



KSR6103



KSR6104

KSR Lighting is constantly developing and improving its products. For this reason, all product descriptions in this data sheet are intended as a general guide, and KSR may change specifications from time to time in the interest of product development, without prior notification or public announcement. All descriptions in this data sheet present only general particulars of the goods to which they refer and shall not form part of any contract. Data in this guide has been obtained in controlled experimental conditions. However, KSR Lighting cannot accept any liability arising from the reliance on such data to the extent permitted.