



INSTALLATION & MAINTENANCE MANUAL

**SKR003A**

## GENERAL INSTRUCTIONS

**These instructions should be read carefully and retained after installation by the end user for future reference and maintenance.**

**These instructions should be used to aid installation of the following product:  
SKR003A**

## SAFETY

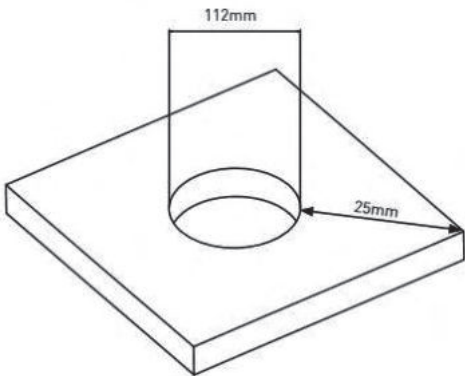
- This product must be installed in accordance with the latest edition of the IEE Wiring Regulations (BS7671) and current Building Regulations. If in any doubt, consult a qualified electrician
- Please isolate mains prior to installation or maintenance
- Check the total load on the circuit (including when this product is fitted) does not exceed the rating of the circuit cable, fuse or circuit breaker
- Please note the IP (Ingress Protection) rating of this product when deciding the location for installation
- Do not overload this accessory or subject it to conditions outside its rating
- This product is Class I and must be earthed
- This product is IP20 rated

## INSTALLATION

**Note:** The unit should be fixed to a rigid flat surface as unevenness could cause damage to the product or affect operation

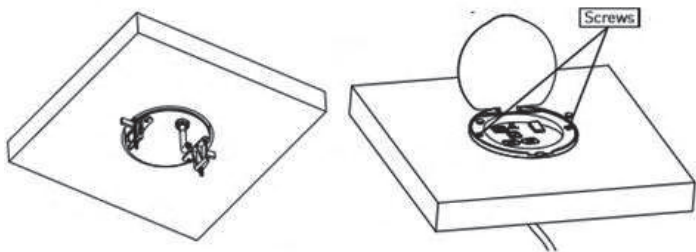
- Provide power to the required point of installation (refer to BS7671 for correct cabling methods)
- Locate a suitable place to mount the product. We recommend a surface thickness of min. 14mm to max. 50mm
- Cut a 112mm hole in the surface allowing a 25mm clearance around the hole (see Fig. 1)

**Note:** Ensure there is sufficient space beneath the surface to insert the product correctly



**Fig. 1**

- Feed the cable and product through the hole
- Tighten screws on top of product to secure it to the surface (see Fig. 2)



**Fig. 2**

- Connect to mains supply via the prewired cable and plug

## **WARNING**

This product must be disconnected from the circuit if subjected to any high voltage or insulation resistance testing. Irreparable damage will occur if this instruction is not followed.

## GENERAL

This product should be recycled in the correct manner when it reaches the end of its life. Check local authorities for where facilities exist.

Clean with a soft dry cloth, do not use any cleaning products or solvents which may damage the product.

## WARRANTY

This product has a warranty of 1 year from date of purchase. Failure to install this product in accordance with the current edition of the IEE Wiring Regulations (BS7671), improper use, or removal of the batch code will invalidate the warranty. If this product should fail within its warranty period it should be returned to the place of purchase for a free of charge replacement. ML Accessories does not accept responsibility for any installation costs associated with the replacement product. Your statutory rights are not affected. ML Accessories reserve the right to alter product specification without prior notice..



**ML**  
ACCESSORIES LTD



**CE** **UK**  
**CA**



**11**



Made in China

AKSEPT20\_V3