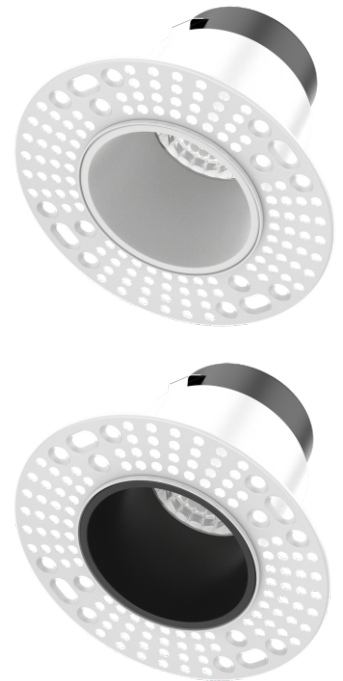
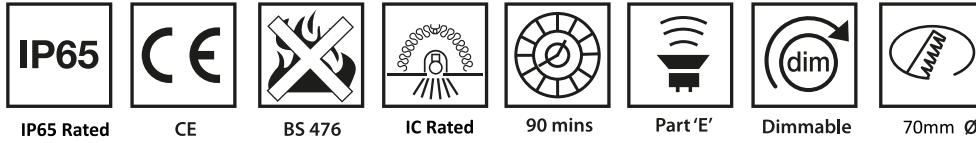


## LTTFDP

10W Smart WiFi & Bluetooth

CCT Changeable

LED Fire Rated Downlight c/w Plaster Bezel\*



\*for use with LTTFDDR or LTTFWDR drivers (not included)

### General Instructions

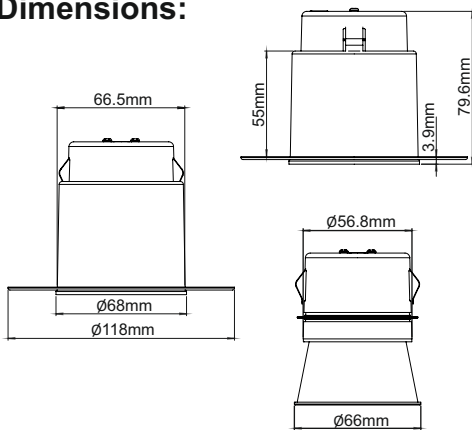
These instructions should be read carefully and retained after installation for further reference and maintenance.

### Important information

It is recommended that luminaires are installed by a qualified electrician ensuring the installation complies with current IEE wiring regulations & local building control.

- Before installation or maintenance ensure that the mains supply to the luminaire is switched off and the circuit supply fuses are removed or circuit breaker turned off.
- Check that the total load on the circuit, including when this luminaire is fitted, does not exceed the rating of the circuit cable, fuse or circuit breaker.
- We will not accept responsibility for any claims arising from a poor installation.
- Suitable for bathroom and shower room use.

### Dimensions:



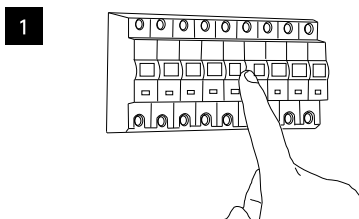
### Specifications:

- LED Voltage Range: 33-39V/DC
- LED Current: 230mA
- Wattage: 10W
- Beam Angle: 40°
- CCT Changeable (3000K/4000K/6000K)
- White & Black Reflector Included
- Lumens:
 

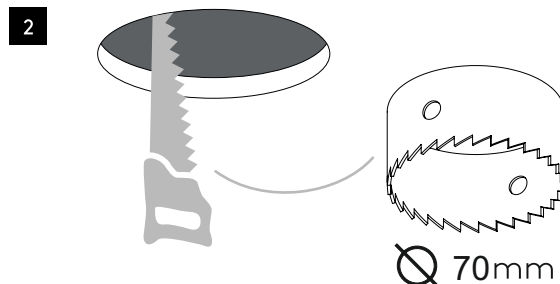
	White Reflector	Black Reflector
3000K	800lm	600lm
4000K	870lm	660lm
6000K	840lm	640lm
- Solid Joist & I-Joist Fire Rated
- Insulation Coverable
- Plaster Bezel & Cover Included
- Cut-out: 70mm
- Housing Materials: Aluminium + Iron
- Warranty: 5 Years
- IP65 Rated

### Installation:

- Turn the power off before commencing installation (see Fig.1).
- Cut a suitable hole in the ceiling as per the cut-out details ensuring that it does not infringe with electrical cables, water/gas pipes or ceiling joists. (see Fig.2).
- The downlight is IC Rated and designed for use with insulated material, it does not need extra IC cage accessories.
- Fix the trim-less bracket into the ceiling by screws.(see Fig.3).
- Connect the driver to the downlight (see Fig.4).
- Fix the DC cable from the driver to the plastic pad of the painting cover.(see Fig.4.1).
- Mount the plastic housing cover before skimming, to avoid plaster getting inside.(see Fig.5).
- Before the plaster is dry, remove the plastic cover protection using the plastic key provided.(see Fig.6).
- Install the required reflector - white and black reflectors included.(see Fig.7).
- Connect the DC cable from the driver to the DC cable from the LED module and make sure they are fully connected. Insert the LED module into the trim-less bracket.(see Fig.8).
- Test for correct operation.
- If you need to remove the downlight use a rubber suction cup & pull down (suction cup not included).

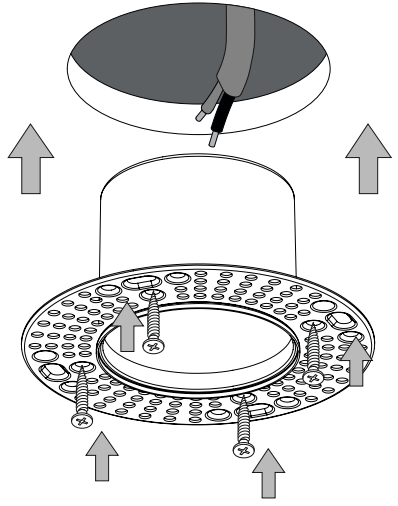


TURN OFF POWER

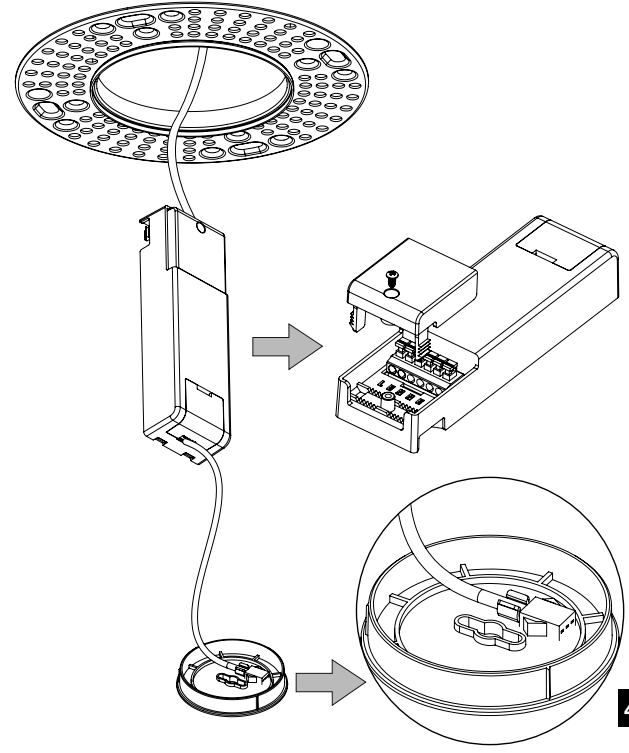


Ø 70mm

3

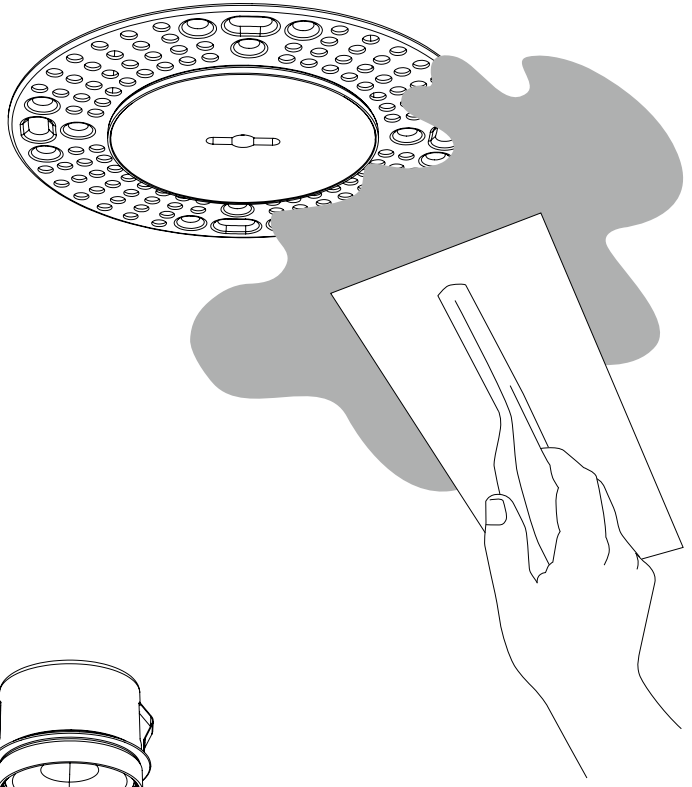


4

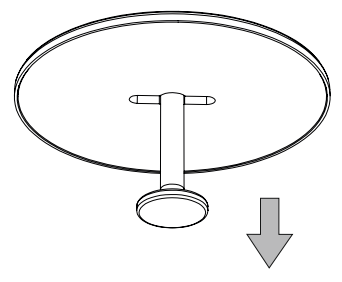


! FIXINGS NOT INCLUDED /

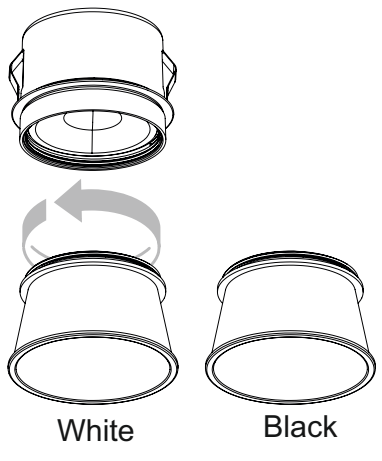
5



6



7



8

