



Luminite Electronics Ltd.

2a Bellevue Road, London, N11 3ER

info@luminite.co.uk

020 8368 7887

EST4HVAC

Wireless Transmitter for HVAC Systems

Specially designed for retro control of HVAC systems, the EST4HVAC is the ideal wireless solution where mains cabling is difficult or impractical. This model is mains-powered and easily interfaces to various control devices that have mains signal outputs.

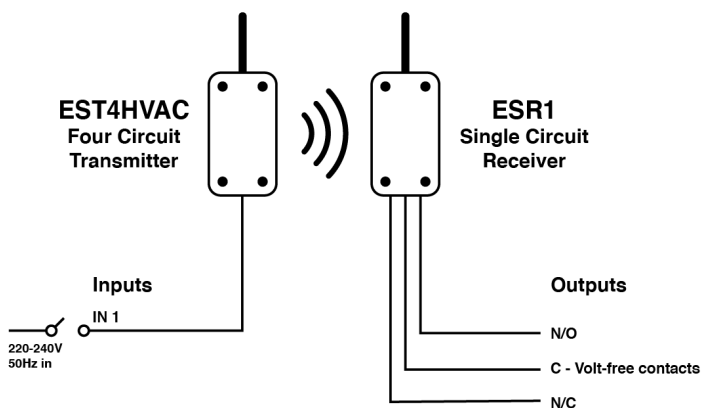
With four inputs, this product is designed to work with EasySwitch single circuit (ESR.1) or four circuit (ESR.4) receivers to allow remote switching of up to four electrical circuits within a building or from one building to another. The wireless transmission range is up to 100m line of sight.

Each time a mains signal is applied or removed from the transmitter it will repeatedly send this command message to the receiver over a period of time to ensure that the message is received. There is no limit to the number of receivers that can be made to work with the transmitter which means that one command could be sent to and received in two different buildings or places, making the receiver both cost-effective and versatile.

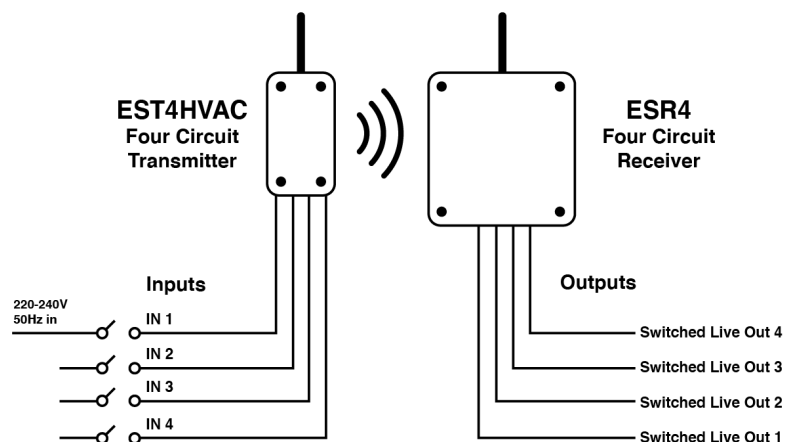


Example Scenario

Single Circuit Control



Four Circuit Control



Technical Specifications

	EST4HVAC
Power Supply	220-240 volts 50Hz
Power Consumption	0.1W
Transmission Range	100 metres line of sight
Wireless Frequency	433.92Mhz FM
Inputs	4
Inputs Voltage	220-240 volts 50Hz
Temperature Range	-10°C to +60°C
Weather Rating	IP66
Enclosure	ABS
Dimensions	114 x 65 x 40mm

