

Commando Technical

mkelectric.co.uk

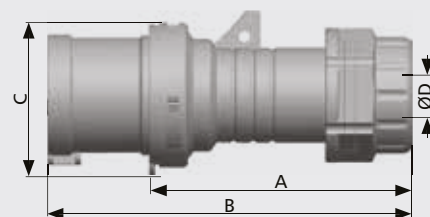


Technical Hotline
+44 (0)1268 563720

Commando Technical

Plugs 16 and 32 Amp

IP44 SPLASHPROOF

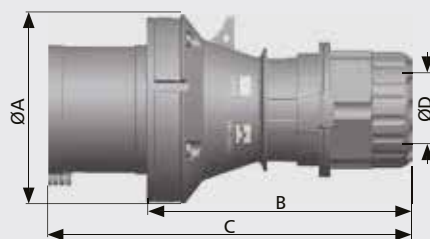


AMPS	PIN. CONFIGURATION	100-130V 50-60HZ	200-250V 50-60HZ	380-415V 50-60HZ	CABLE DIAMETER D MM		TERMINAL CAPACITY* MM ²	DIMENSIONS IN MM		
		LIST NO	LIST NO	LIST NO	MIN	MAX		A	B	C
16A	2P+E	K9000YEL	K9001BLU 6		8.2	13	1-2.5	132.3	95.5	55.5
16A	3P+E		K9006BLU 6	K9007RED 6	8.9	15.5	1-2.5	132.3	95.5	61.5
16A	3P+N+E		K9014BLU 9	K9015RED 6	10.1	17	1-2.5	132.3	95.5	67.5
32A	2P+E	K9032YEL 4	K9033BLU 6		11.7	18	2.5-6	135.8	90	72.5
32A	3P+E		K9036BLU	K9037RED 6	11.7	22	2.5-6	135.8	90	72.5
32A	3P+N+E		K9044BLU 9	K9045RED 6	14.2	22	2.5-6	141.8	95.8	79.7

Earth Hour Position *Flexible conductors

Plugs 63 Amp

IP44 SPLASHPROOF

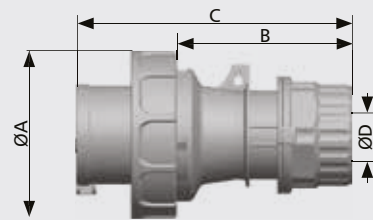


AMPS	PIN. CONFIGURATION	100-130V 50-60HZ	200-250V 50-60HZ	380-415V 50-60HZ	CABLE DIAMETER D MM		TERMINAL CAPACITY* MM ²	DIMENSIONS IN MM			
		LIST NO	LIST NO	LIST NO	MIN	MAX		A	B	C	D
63A	2P+E	K9063BLU 6			16.5	36	6-16	102	180.8	247.3	36.4
63A	3P+E		K9066RED 6		16.5	36	6-16	102	180.8	247.3	36.4
63A	3P+N+E			K9071RED 6	16.5	36	6-16	102	180.8	247.3	36.4

Earth Hour Position *Flexible conductors

Plugs 16 and 32 Amp

IP67 WATERTIGHT

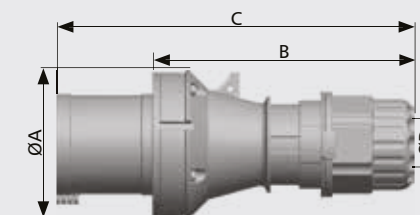


AMPS	PIN. CONFIGURATION	100-130V 50-60HZ	200-250V 50-60HZ	380-415V 50-60HZ	CABLE DIAMETER D MM		TERMINAL CAPACITY* MM ²	DIMENSIONS IN MM		
		LIST NO	LIST NO	LIST NO	MIN	MAX		A	B	C
16A	2P+E	K9023YEL 4	K9024BLU 6		8.2	13	1-2.5	72	81.2	117.6
16A	3P+E			K9025RED 6	8.9	17	1-2.5	75.4	87.2	123.6
16A	3P+N+E			K9026RED 6	10.1	17	1-2.5	88	93.6	129.6
32A	2P+E		K9054BLU 6		11.7	18	2.5-6	92	97.2	142.6
32A	3P+E									
32A	3P+N+E			K9056RED 6	14.2	22	2.5-6	98	102.9	148.3

Earth Hour Position *Flexible conductors

Plugs 63 Amp

IP67 WATERTIGHT

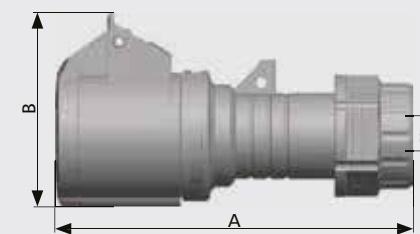


AMPS	PIN. CONFIGURATION	100-130V 50-60HZ	200-250V 50-60HZ	380-415V 50-60HZ	CABLE DIAMETER D MM		TERMINAL CAPACITY* MM ²	DIMENSIONS IN MM		
		LIST NO	LIST NO	LIST NO	MIN	MAX		A	B	C
63A	2P+E	K9063BLU 6			16.5	36	6-16	102	180.8	247.3
63A	3P+E		K9066RED 6		16.5	36	6-16	102	180.8	247.3
63A	3P+N+E		K9292RED 6	K9071RED 6	16.5	36	6-16	102	180.8	247.3

Earth Hour Position *Flexible conductors

Connectors 16, 32 and 63 Amp

IP44 SPLASHPROOF

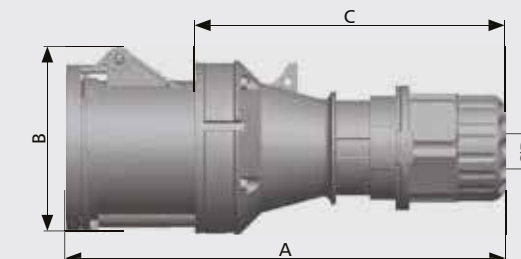


AMPS	PIN. CONFIGURATION	100-130V 50-60HZ	200-250V 50-60HZ	380-415V 50-60HZ	CABLE DIAMETER D MM		TERMINAL CAPACITY* MM ²	DIMENSIONS IN MM	
		LIST NO	LIST NO	LIST NO	MIN	MAX		A	B
16A	2P+E	K9100YEL 4	K9101BLU 6		8.2	13	1-2.5	142	77.3
16A	3P+E			K9107RED 6	8.9	15.5	1-2.5	142	80.8
16A	3P+N+E			K9115RED 6	10.1	17	1-2.5	142	90
32A	2P+E	K9132YEL 4	K9133BLU 6		11.7	18	2.5-6	148	92
32A	3P+N+E		K9143BLU 9	K9144RED 6	11.1	22	2.5-6	154	98.5
63A	3P+N+E			K9170RED 6	16.5	36	6-16	109.5	256

Earth Hour Position *Flexible conductors

Connectors 63 Amp

IP44 SPLASHPROOF



AMPS	PIN. CONFIGURATION	200-250V 50-60HZ	380-415V 50-60HZ	CABLE DIAMETER D MM		TERMINAL CAPACITY* MM ²	DIMENSIONS IN MM		
		LIST NO	LIST NO	MIN	MAX		A	B	C
63A	2P+E	K9172BLU 6		16.5	36	6-16	109.5	256	36.4
63A	3P+E								
63A	3P+N+E		K9170RED 6	16.5	36	6-16	109.5	256	36.4

Earth Hour Position *Flexible conductors

For a full range of corresponding products, see pages 254-263 in the product selector.

Commando Technical

mkelectric.co.uk

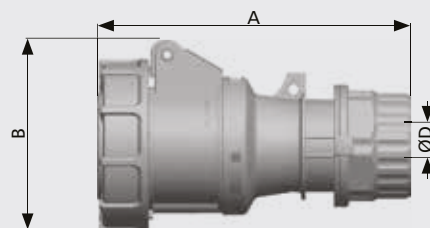


Technical Hotline
+44 (0)1268 563720

Commando Technical

Connectors 16 and 32 Amp

IP67 WATERTIGHT

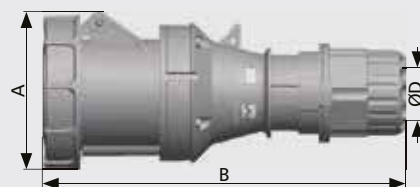


AMPS	PIN. CONFIGURATION	100-130V 50-60HZ	200-250V 50-60HZ	380-415V 50-60HZ	CABLE DIAMETER D MM		TERMINAL CAPACITY* MM ²	DIMENSIONS IN MM	
		LIST NO	LIST NO	LIST NO	MIN	MAX		A	B
16A	2P+E	K9123YEL 4	K9124BLU 6		8.2	13	1-2.5	151	80
16A	3P+E			K9125RED 6	8.9	17	1-2.5	168	88
16A	3P+N+E			K9126RED 6	10.1	21.5	1-2.5	170	97
32A	2P+E	K9155YEL 4	K9156BLU 6		11.7	21.5	2.5-6	177	102
32A	3P+E			K9157RED 6	11.7	21.5	2.5-6	177	102
32A	3P+N+E			K9158RED 6	14.2	21.5	2.5-6	182	109

Earth Hour Position *Flexible conductors

Connectors 63 Amp

IP67 WATERTIGHT



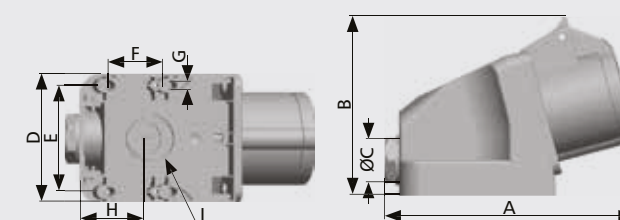
AMPS	PIN. CONFIGURATION	100-130V 50-60HZ	200-250V 50-60HZ	380-415V 50-60HZ	CABLE DIAMETER D MM		TERMINAL CAPACITY* MM ²	DIMENSIONS IN MM	
		LIST NO	LIST NO	LIST NO	MIN	MAX		A	B
63A	2P+E	K9855YEL 4	K9856BLU 6		14	41	4 - 16	286	111
63A	3P+E			K9842RED 6	16.5	41	4 - 16	286	111
63A	3P+N+E			K9852RED 6	16.5	41	4 - 16	286	111

Earth Hour Position *Flexible conductors

Socket Outlets Angled Surface Mounting 16 and 32 Amp

FITTED WITH CABLE ENTRY GLAND THREAD SIZE M48

IP44 SPLASHPROOF



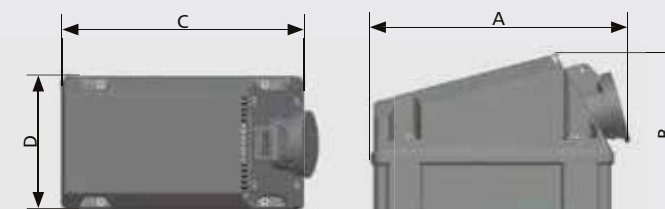
AMPS	PIN. CONFIGURATION	100-130V 50-60HZ	200-250V 50-60HZ	380-415V 50-60HZ	CABLE DIAMETER D MM		TERMINAL CAPACITY* MM ²	DIMENSIONS IN MM								
		LIST NO	LIST NO	LIST NO	MIN	MAX		A	B	C	D	E	F	G	H	I
16A	2P+E	K9200YEL 4	K9201BLU 6		8.2	13	1-2.5	138.7	99	20	71	58	34	5	35	Ø19/26
16A	3P+E		K9206BLU 9	K9207RED 6	8.9	15.5	1-2.5	138.7	101	20	71	58	34	5	35	Ø19/26
16A	3P+N+E		K9214BLU 9	K9215RED 6	10.1	17	1-2.5	139.7	105	20	71	58	34	5	35	Ø19/26
32A	2P+E	K9232YEL 4	K9233BLU 6		11.7	18	2.5-6	150.6	107	25	71	58	34	5	35	Ø19/26
32A	3P+E		K9236BLU 9	K9237RED 6	11.7	22	2.5-6	150.6	107	25	71	58	34	5	35	Ø19/26
32A	3P+N+E		K9240BLU 9	K9241RED 6	11.1	22	2.5-6	151.6	110	25	71	58	34	5	35	Ø19/26

Earth Hour Position *Solid or Stranded conductors

Socket Outlets Angled Surface Mounting 63 Amp

TOP CONDUIT OR REAR CABLE ENTRY, COMPLETE WITH BLANKING PLUG

IP44 SPLASHPROOF



AMPS	PIN. CONFIGURATION	200-250V 50-60HZ	380-415V 50-60HZ	TERMINAL CAPACITY* MM ²	DIMENSIONS IN MM			
		LIST NO	LIST NO		A	B	C	D
63A	2P+E	K9274BLU		6-16	300.8	165.4	274.5	135
63A	3P+N+E		K9269RED	6-16	300.8	166.1	275	135

Earth Hour Position *Flexible conductors

Commando Technical

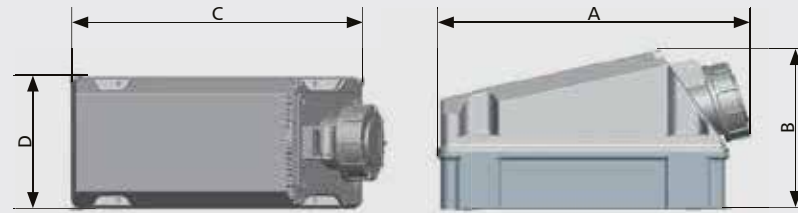
mkelectric.co.uk



Technical Hotline
+44 (0)1268 563720

Socket Outlets Angled Surface Mounting 63 Amp

IP67 WATERTIGHT



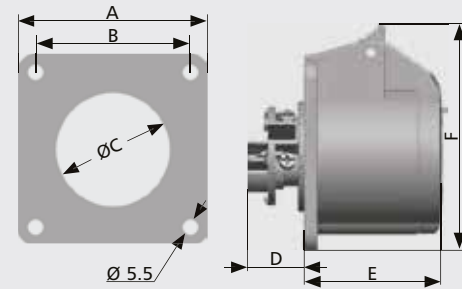
AMPS	PIN. CONFIGURATION	200-250V 50-60HZ	380-415V 50-60HZ	TERMINAL CAPACITY* MM ²	DIMENSIONS IN MM			
		LIST NO	LIST NO		A	B	C	D
63A	2P+E	K9857BLU		6-16	300.8	165.4	274.5	135
63A	3P+E		K9858RED		300.8	166.1	275	135
63A	3P+N+E		K9859RED	6-16	300.8	166.1	275	135

Earth Hour Position *Flexible conductors

Socket Outlets Straight Panel Mounting 16 and 32 Amp

ALL FLANGES HAVE THE SAME FIXING CENTRES AND OUTSIDE DIMENSIONS TO ASSIST PANEL BUILDING.

IP44 SPLASHPROOF



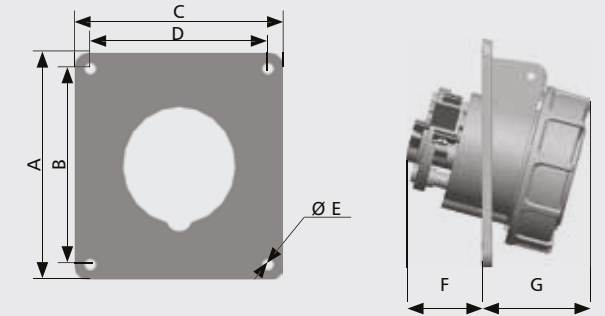
AMPS	PIN. CONFIGURATION	100-130V 50-60HZ	200-250V 50-60HZ	380-415V 50-60HZ	CABLE DIAMETER D MM		TERMINAL CAPACITY* MM ²	DIMENSIONS IN MM					
		LIST NO	LIST NO	LIST NO	MIN	MAX		A	B	C	D	E	F
16A	2P+E	K9400YEL 4	K9401BLU 6		8.2	13	1-2.5	70	56	41	20.9	50	83
32A	2P+E	K9432YEL 4	K9433BLU 6		11.7	18	2.5-6	70	56	55	26.5	60.4	92
32A	3P+N+E			K9445RED 6	11.1	22	2.5-6	70	56	55	26.5	60.4	98.5

Earth Hour Position *Solid or Stranded conductors

Commando Technical

Socket Outlets Angled Panel Mounting 16 and 32 Amp

IP67 WATERTIGHT

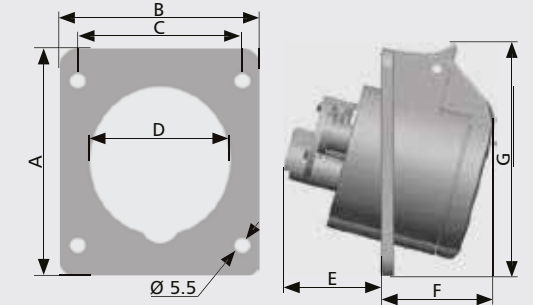


AMPS	PIN. CONFIGURATION	100-130V 50-60HZ	200-250V 50-60HZ	380-415V 50-60HZ	CABLE DIAMETER D MM		TERMINAL CAPACITY* MM ²	DIMENSIONS IN MM						
		LIST NO	LIST NO	LIST NO	MIN	MAX		A	B	C	D	E	F	G
16A	2P+E	K9802YEL 4					1-2.5	100	85	92	77	5	33.6	46.8

Earth Hour Position *Solid or Stranded conductors

Socket Outlets Angled Panel Mounting 16 and 32 Amp

IP44 SPLASHPROOF



AMPS	PIN. CONFIGURATION	100-130V 50-60HZ	200-250V 50-60HZ	380-415V 50-60HZ	CABLE DIAMETER D MM		TERMINAL CAPACITY* MM ²	DIMENSIONS IN MM						
		LIST NO	LIST NO	LIST NO	MIN	MAX		A	B	C	D	E	F	G
16A	2P+E		K9771BLU 6		8.2	13	1-2.5	84	74	60	51.2	36	41	85.6

Earth Hour Position *Solid or Stranded conductors

Commando Technical

mkelectric.co.uk



Technical Hotline
+44 (0)1268 563720

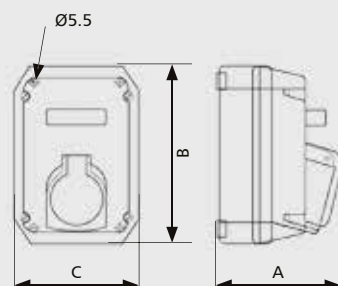
Switchsocket Outlets Interlocked Angled Surface Mounting 16, 32 and 63 Amp

SWITCH CAN BE LOCKED IN OPEN OR CLOSED POSITION

IP44 SPLASHPROOF

16 amp and 32 amp
Will accept auxiliary contact eg. 6813 and 6814
M32/M25 conduit entry, with mounting for FL9 flange plate

63 amp
M40 conduit entry with mounting for FL 13 flange plate
Switch Utilisation Category AC 22A



AMPS	PIN. CONFIGURATION	200-250V 50-60HZ		380-415V 50-60HZ	TERMINAL CAPACITY* MM ²	DIMENSIONS IN MM			FIXING CENTRES
		LIST NO	LIST NO			A	B	C	
16	3P+E	K9601BLU 9			1.5-10	125	198	135	91.5 x 165
16	3P+N+E	K9607BLU 9			1.5-10	125	198	135	91.5 x 165
32	3P+E				1.5-10	135	198	135	91.5 x 165
32	3P+N+E	K9639BLU 9			1.5-10	135	198	135	91.5 x 165
63	3P+E			K9665RED 6	6-25	183	228	165	91.5 x 201
63	3P+N+E				6-25	183	228	165	91.5 x 201

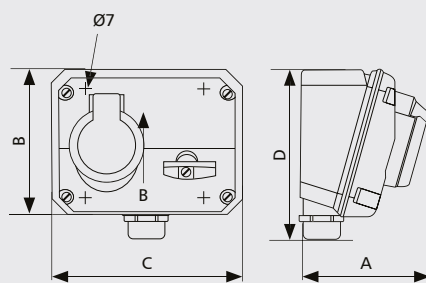
Earth Hour Position *Solid or Stranded conductors

Switchsocket Outlets Interlocked Angled Conduit Entry Surface Mounting 63 Amp

IP44 SPLASHPROOF

16 amp and 32 amp
With 29mm knockout at top.
Will accept FL13 flange.
Bottom entry M25.

63 amp
FL13 flange entry at top.
Supplied with cover plate and gland plate.
Switch Utilisation Category AC 22A



AMPS	PIN. CONFIGURATION	100-130V 50-60HZ		200-250V 50-60HZ	380-415V 50-60HZ	TERMINAL CAPACITY* MM ²	DIMENSIONS IN MM			FIXING CENTRES	CONDUIT ENTRY
		LIST NO	LIST NO				A	B	C		
63	2P+E			K9306BLU 6		6-25	168	168	206	152 x 132	2 x 32mm

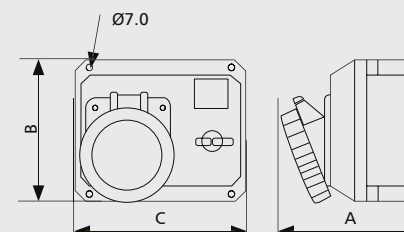
Earth Hour Position *Solid or Stranded conductors

Commando Technical

Switchsocket Outlets Interlocked Angled Surface Mounting 63 Amp

IP67 WATERTIGHT

63 amp
With 32mm knockouts top and bottom.
Will accept FL13 flange top and bottom.
Switch can be locked in open position or closed position.
Switch Utilisation Category AC 22A



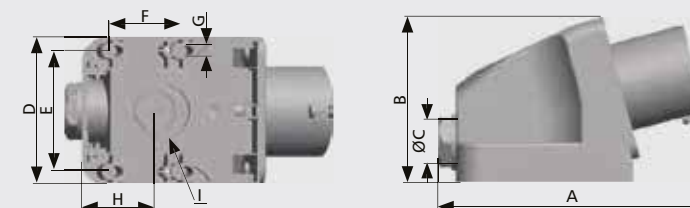
AMPS	PIN. CONFIGURATION	100-130V 50-60HZ		200-250V 50-60HZ	380-415V 50-60HZ	TERMINAL CAPACITY* MM ²	DIMENSIONS IN MM			FIXING CENTRES	CONDUIT ENTRY
		LIST NO	LIST NO				A	B	C		
63A	3P+E				K9342RED 6	6-25	182	168	206	152 x 132	2 x 32mm

Earth Hour Position *Solid or Stranded conductors

Splashproof Appliance Inlets Angled Surface Mounting 16 and 32 Amp

TOP CONDUIT OR REAR CABLE ENTRY, COMPLETE WITH BLANKING PLUG

IP44 SPLASHPROOF



AMPS	PIN. CONFIGURATION	100-130V 50-60HZ		200-250V 50-60HZ	380-415V 50-60HZ	CABLE DIAMETER	TERMINAL CAPACITY* MM ²	DIMENSIONS IN MM							TOP CONDUIT ENTRY D	REAR ENTRY G
		LIST NO	LIST NO					LIST NO	MIN	MAX	B	C	C1	E1		
16A	2P+E			K9701BLU 6		8.2 14	1.5-10	66	75	54	72	5.5	110	30	M20	Ø23
32A	2P+E			K9733BLU 6		11.7 19.5	1.5-10	85	111	72	94	5.5	153	33	M25	Ø29

Earth Hour Position *Solid or Stranded conductors

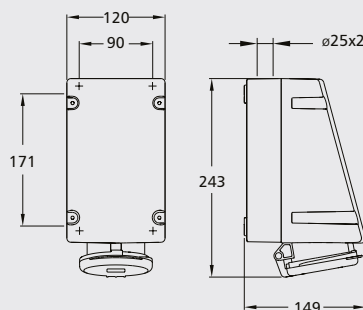
Commando Technical

mkelectric.co.uk



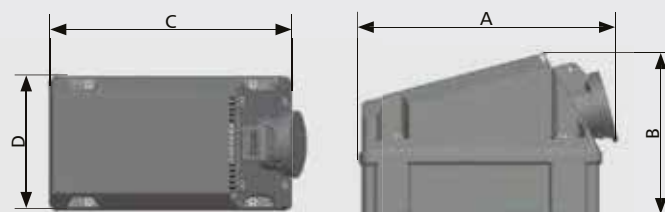
Technical Hotline
+44 (0)1268 563720

Socket Outlets Loop in Surface Mounting 16 and 32 Amp



IP44 SPLASHPROOF

AMPS	PIN. CONFIGURATION	100-130V 50-60HZ	200-250V 50-60HZ	380-415V 50-60HZ	CABLE ENTRY KNOCKOUTS	TERMINAL CAPACITY* MM ²	FIXING CENTRES MM
		LIST NO	LIST NO	LIST NO			
32A	2P+E	K13232YEL 4			2 x Ø25 top	2 x (2.5-10)	90 x 170
Earth Hour Position *Solid or Stranded conductors							

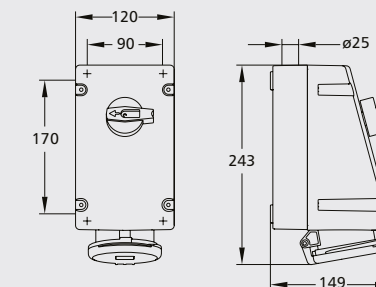


AMPS	PIN. CONFIGURATION	100-130V 50-60HZ	200-250V 50-60HZ	380-415V 50-60HZ	TERMINAL CAPACITY* MM ²	DIMENSIONS IN MM			
		LIST NO	LIST NO	LIST NO		A	B	C	D
16A	2P+E	K13300YEL	K13301BLU		1-2.5	227.7	143.5	215	120
32A	2P+E		K13333BLU		2.5-6	235.5	143.5	215	120
32A	3P+N+E			K13341RED	2.5-6	235.5	143.5	215	120
Earth Hour Position *Solid or Stranded conductors									

Commando Technical

Switchsocket Outlets Interlocked Surface Mounting 16 and 32 Amp

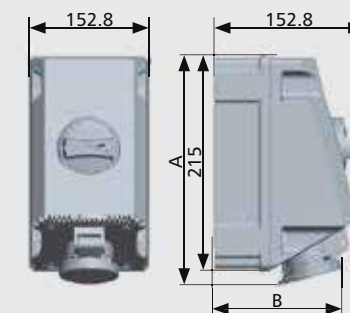
(SUITABLE FOR TOP ENTRY)



IP44 SPLASHPROOF

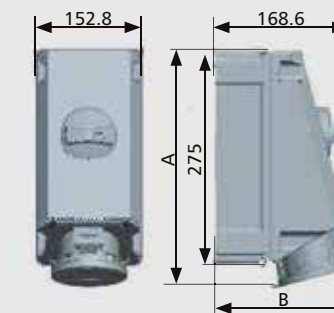
Switch Utilisation Category AC 22A
Will accept auxiliary contacts 6813 and 6814
Switch can be locked in open or closed position.

AMPS	PIN. CONFIGURATION	100-130V 50-60HZ	200-250V 50-60HZ	380-415V 50-60HZ	CABLE ENTRY KNOCKOUTS	TERMINAL CAPACITY* MM ²	FIXING CENTRES MM
		LIST NO	LIST NO	LIST NO			
16A	3P+E			K13607RED 6	2 x Ø25 top	1.5-4	90 x 170
32A	2P+E	K13632YEL 4			2 x Ø25 top	2.5-10	90 x 170
32A	3P+E			K13637RED 6	2 x Ø25 top	2.5-10	90 x 170
Earth Hour Position *Solid or Stranded conductors							



AMPS	PIN. CONFIGURATION	100-130V 50-60HZ	200-250V 50-60HZ	380-415V 50-60HZ	120/208- 144/250V 50-60HZ	200/346- 240/415V 50-60HZ	DIMENSIONS IN MM		TERMINAL CAPACITY* MM ²	CABLE ENTRY KNOCKOUTS	FIXING CENTRES
		LIST NO	LIST NO	LIST NO	LIST NO	LIST NO	A	B			
16A	2P+E	K73600YEL 4	K73601BLU 6				228	128.5	1.5-4	Ø20/25+Ø25/32 top and bottom	108x165
16A	3P+N+E				K73603BLU 9	K73615RED 6	229	142.5	1.5-4	Ø20/25+Ø25/32 top and bottom	108x165
32A	2P+E		K73633BLU 6				235.5	148	2.5-10	Ø20/25+Ø25/32 top and bottom	108x165
32A	3P+E			K73637RED 6			235.5	148	2.5-10	Ø20/25+Ø25/32 top and bottom	108x165
32A	3P+N+E				K73635BLU 9	K73641RED 6	235.5	154.5	2.5-10	Ø20/25+Ø25/32 top and bottom	108x165
Earth Hour Position *Solid or Stranded conductors											

Switchsocket Outlets Interlocked Surface Mounting 63 Amp



AMPS	PIN. CONFIGURATION	100-130V 50-60HZ	200-250V 50-60HZ	380-415V 50-60HZ	120/208- 144/250V 50-60HZ	200/346- 240/415V 50-60HZ	DIMENSIONS IN MM		TERMINAL CAPACITY* MM ²	CABLE ENTRY KNOCKOUTS	FIXING CENTRES
		LIST NO	LIST NO	LIST NO	LIST NO	LIST NO	A	B			
63A	3P+N+E					K73643RED 6	301	175	6-25	2xØ32/40 top and bottom	123x225
Earth Hour Position *Solid or Stranded conductors											

Commando Technical

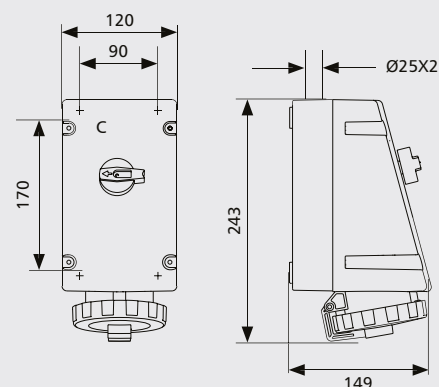
mkelectric.co.uk



Technical Hotline
+44 (0)1268 563720

Switchsocket Outlets Interlocked Surface Mounting 16 and 32 Amp

Switch Utilisation Category AC 22A
Will accept auxiliary contacts 6813 and 6814
Switch can be locked in open or closed position.

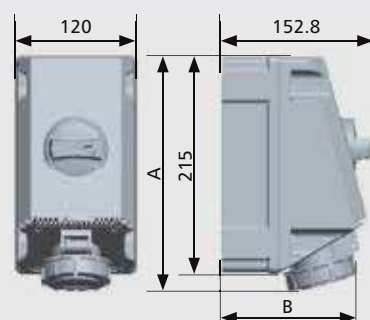


IP67 WATERTIGHT

AMPS	PIN. CONFIGURATION	100-130V 50-60HZ	200-250V 50-60HZ	380-415V 50-60HZ	CABLE ENTRY KNOCKOUTS	TERMINAL CAPACITY* MM ²	FIXING CENTRES MM
		LIST NO	LIST NO	LIST NO			
16A	3P+E			K13625RED 6	2 x Ø25 top	1.5-4	90 x 170
32A	2P+E	K13653YEL 4			2 x Ø25 top	2.5-10	90 x 170
32A	3P+E			K13655RED 6	2 x Ø25 top	2.5-10	90 x 170

Earth Hour Position

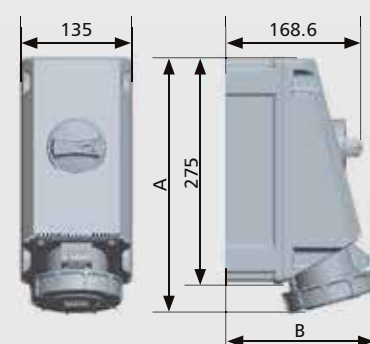
*Solid or Stranded conductors



AMPS	PIN. CONFIGURATION	100-130V 50-60HZ	200-250V 50-60HZ	200/346-240/415V 50-60HZ	DIMENSIONS IN MM		TERMINAL CAPACITY* MM ²	CABLE ENTRY KNOCKOUTS	FIXING CENTRES
		LIST NO	LIST NO	LIST NO	A	B			
16A	2P+E	K73623YEL 4	K73624BLU 6		233	135	1.5-4	Ø20/25+Ø25/32 top and bottom	108x165
16A	3P+N+E			K73626RED 6	233	147	1.5-4	Ø20/25+Ø25/32 top and bottom	108x165
32A	2P+E		K73654BLU 6		241	153	2.5-10	Ø20/25+Ø25/32 top and bottom	108x165
32A	3P+N+E			K73656RED 6	241	159	2.5-10	Ø20/25+Ø25/32 top and bottom	108x165

Earth Hour Position

*Solid or Stranded conductors



Switchsocket Outlets Interlocked Surface Mounting 63 Amp

AMPS	PIN. CONFIGURATION	200-250V 50-60HZ	200/346-240/415V 50-60HZ	DIMENSIONS IN MM		TERMINAL CAPACITY* MM ²	CABLE ENTRY KNOCKOUTS	FIXING CENTRES
		LIST NO	LIST NO	A	B			
63A	2P+E	K73660BLU 6		312	185	6-25	2xØ32/40 top and bottom	123x225
63A	3P+N+E		K73658RED 6	312	185	6-25	2xØ32/40 top and bottom	123x225

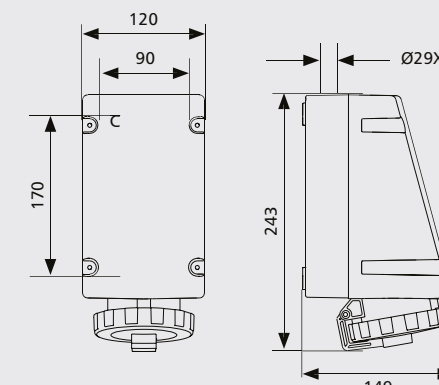
Earth Hour Position

*Solid or Stranded conductors

Commando Technical

Socket Outlets Surface Mounting 16 and 32 Amp Loop In Versions

(SEE DIMENSIONS B)
Fitted with terminals for Loop In



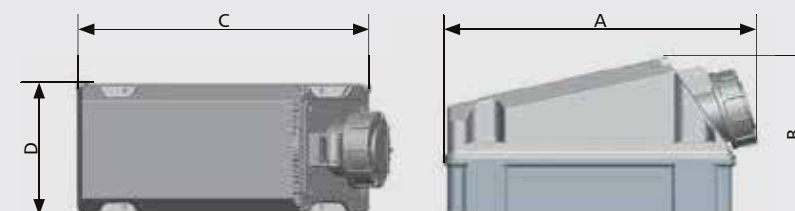
Dimensions B

IP67 WATERTIGHT

AMPS	PIN. CONFIGURATION	100-130V 50-60HZ	200-250V 50-60HZ	380-415V 50-60HZ	TERMINAL CAPACITY* MM ²	CABLE ENTRY KNOCKOUTS	FIXING CENTRES MM
		LIST NO	LIST NO	LIST NO			
32	2P+E	K13053YEL 4			2 x (2.5-10)	2 x Ø25 top	90 x 170

Earth Hour Position

*Solid or Stranded conductors



AMPS	PIN. CONFIGURATION	100-130V 50-60HZ	200-250V 50-60HZ	TERMINAL CAPACITY* MM ²	DIMENSIONS IN MM			
		LIST NO	LIST NO		A	B	C	D
16A	2P+E	K13323YEL	K13324BLU	1-2.5	232.5	143.5	215	120
32A	2P+E		K13354BLU	2.5-6	240.8	143.5	215	120

Earth Hour Position

*Solid or Stranded conductors