

MK SENTRY



Miniature Circuit Breakers (MCB)



Description

MK Sentry MCBs are of the thermo-magnetic, current limiting type and are available with either Type B or Type C operating characteristics.

The thermal component is carefully calibrated, thermally operated bi-metal element. Larger overloads and fault current situations are dealt with using the magnetic tripping mode of the MCB. This acts very quickly, overriding the thermal operation.

BS EN 60898 requires the tripping to occur within 100 milliseconds and when short circuit happens and the design of the MK Sentry MCB allows fault currents of up to 6000A (M6) to be safely interrupted within this time-scale.

Positive contact status indication

When the green indicator is visible, then a contact gap of 4mm has been achieved. MK Sentry MCBs may therefore be used as single pole isolating switches where appropriate.

The operating dolly may be locked in either the ON or OFF position without affecting the ability of the trip mechanism to operate. The contacts themselves are manufactured from carefully chosen materials, selected specifically for their low electrical resistance and low propensity to weld under fault conditions.

Features

- Designed to fully comply with the requirements of BN EN 60988-1
- Positive contact status indication
- Trip-free mechanism
- Tunnel type, captive terminals
- 25mm² terminal capacity
- Can be used as a single pole isolating switch
- Protective shutter

TYPE B CURVE

| TYPE B SINGLE POLE | RATING |
|--------------------|--------|
| H5903s | 3A |
| H5906s | 6A |
| H5910s | 10A |
| H5916s | 16A |
| H5920s | 20A |
| H5925s | 25A |
| H5932s | 32A |
| H5940s | 40A |
| H5945s | 45A |
| H5950s | 50A |
| H5963s | 63A |

TYPE C CURVE

| TYPE C SINGLE POLE | RATING |
|--------------------|--------|
| H8703s | 3A |
| H8706s | 6A |
| H8710s | 10A |
| H8716s | 16A |
| H8720s | 20A |
| H8725s | 25A |
| H8732s | 32A |
| H8740s | 40A |
| H8750s | 50A |
| H8763s | 63A |

MK SENTRY

Miniature Circuit Breakers (MCB)

Standards and approvals

Product Standard
BS EN 60898-1

Product Certification
CE, UKCA

IP Degree of Protection
Front face = IP4X
Screw = IP2X

Degree of Pollution: 2

Energy Limiting Class: 3



TECHNICAL SPECIFICATION

ELECTRICAL

Voltage Rating
230/400V a.c.

Rated Current
3 – 63A

Rated Short Circuit Capacity ICN
6000A (when backed up by a BS1361, 100A
fuse, breaking capacity increased to 16,000A)

PHYSICAL

Number of Poles
1P

Mounting
Din-Rail / Clip-on

Mechanical Durability
10,000 cycles

Ambient Operating Temperature
-5°C to +55°C

Calibration Temperature
+30°C

IP Rating
Front face IP4X, screw IP2X

Terminal Capacity
25mm²

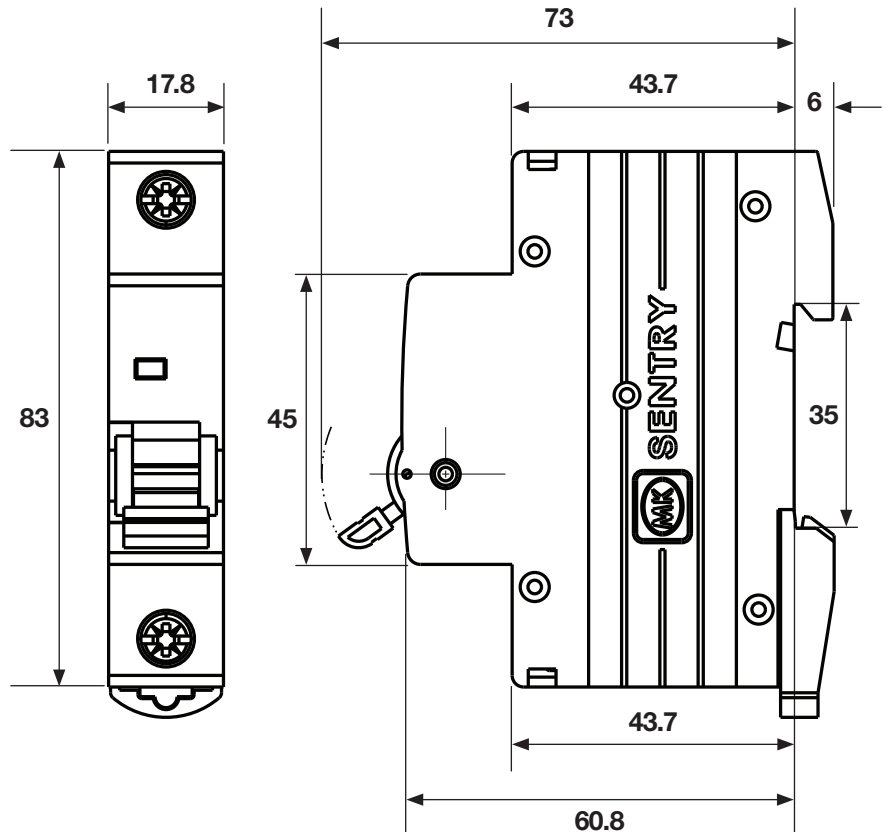
Tightening Torque
3Nm (max)

Max. Installation Altitude
2000 metres

Material
PA6 Nylon

Dimensions (mm)

(Height) 83mm x (Width) 18mm x (Depth) 79mm



MK SENTRY

Miniature Circuit Breakers (MCB)

Tripping Characteristics Curve

Limit Specified in BS EN 60898-1: 2003

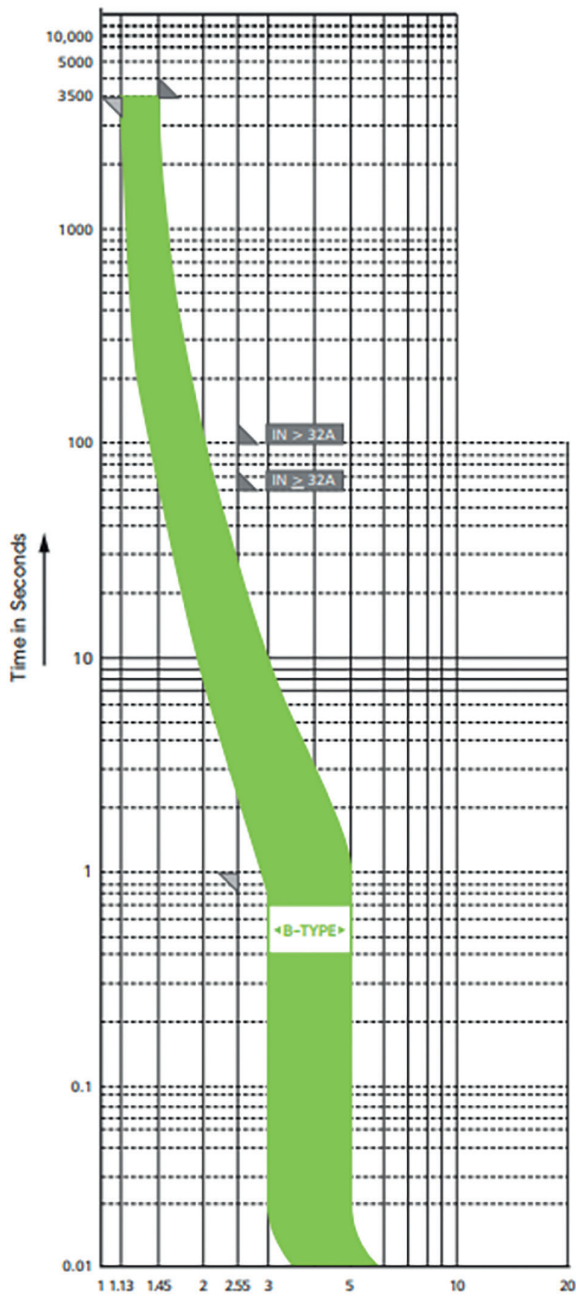
In : Rated Current

B Type : 3A to 50A

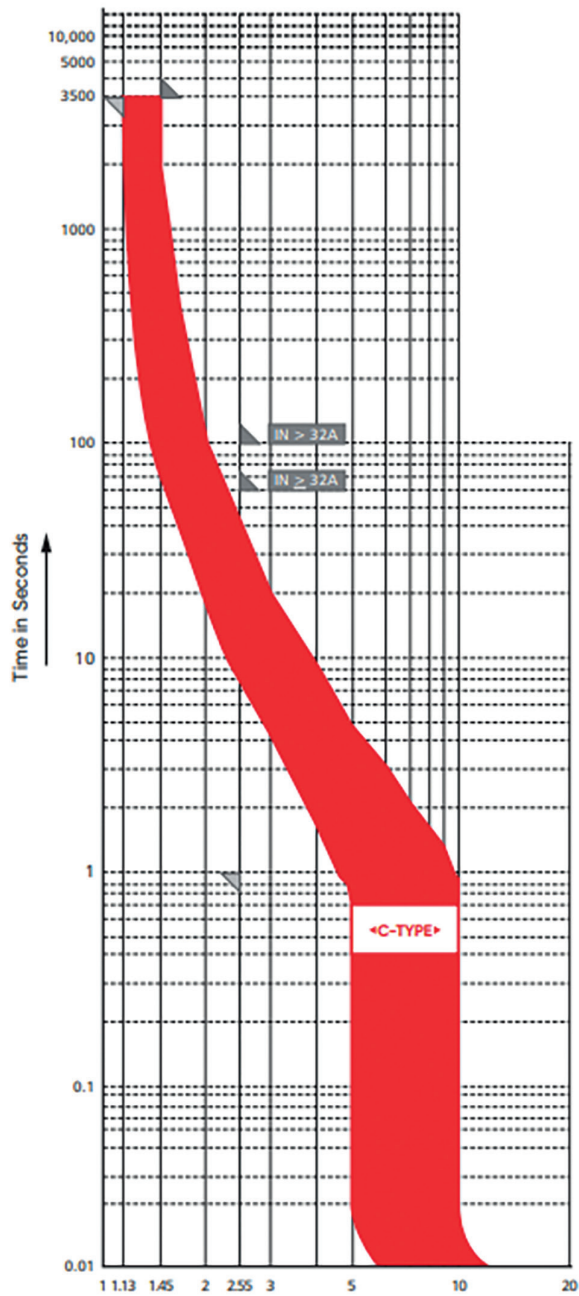
C Type : 3A to 50A

Reference calbi. Temp. 30°C

Lower Limit as per Standard
Upper Limit as per Standard



B-TYPE

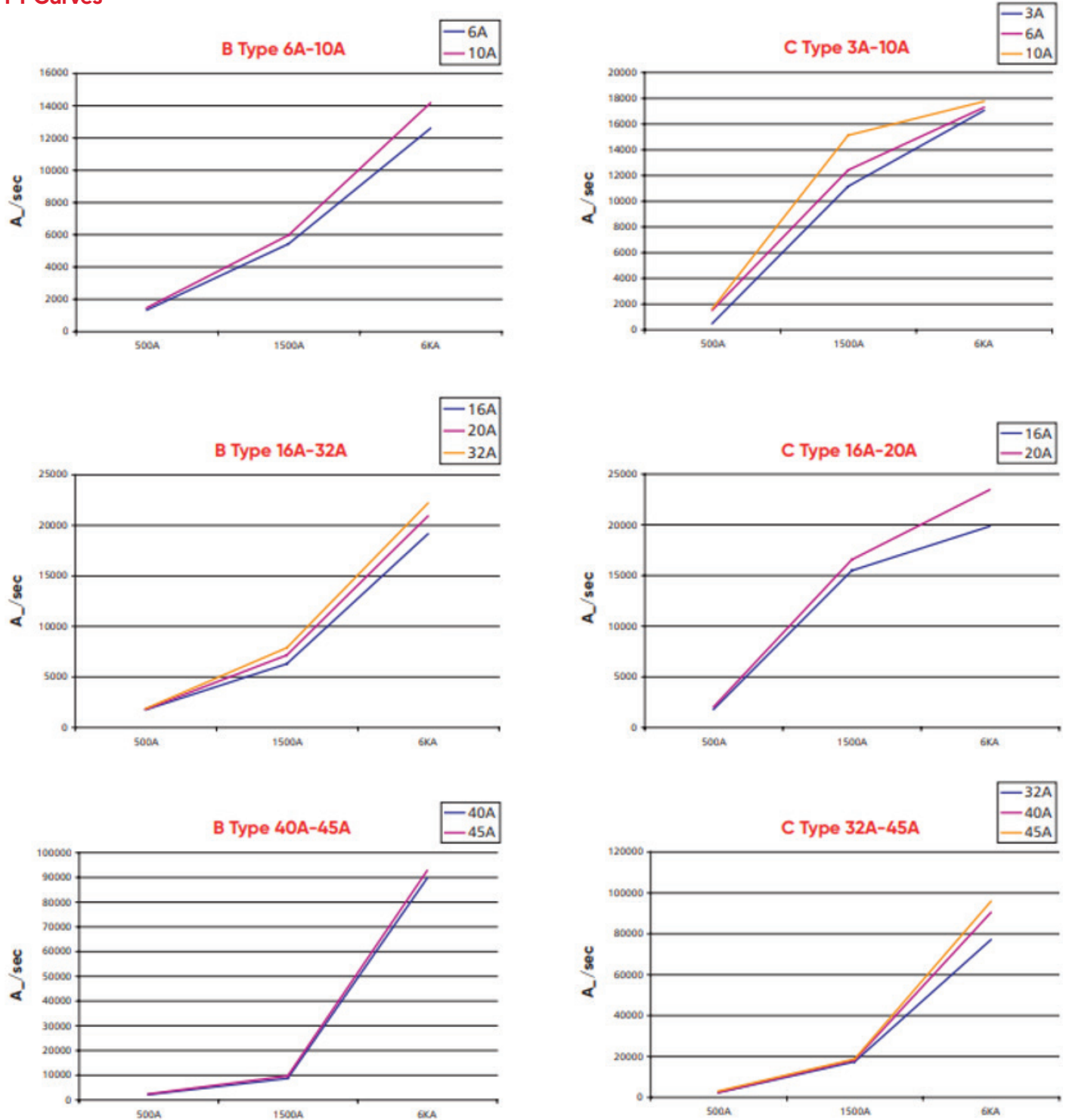


C-TYPE

MK SENTRY

Miniature Circuit Breakers (MCB)

I²T Curves



CircPro (UK) Limited
 3C Lamson Road,
 Rainham, Essex RM13 9YY Phone:
 01708 986180
 Email: enquiries@circpro.co.uk
www.mk SentryCircuitProtection.co.uk

Made in China
 The MK Trademark is used under license from Novar ED&S Limited
 Novar ED&S Limited makes no representations or warranties with respect to this product.
 This product is manufactured by CircPro (UK) Limited, a division of Yihua.

