

MK SENTRY

Insulated Consumer Unit Enclosure



Description

The stylishly designed enclosure is durable, safe and reliable, with a grey ABS base and smoked/transparent cover.

The unit can be easily installed for use in industrial, commercial and residential out-building applications e.g. garages.

Installation

The installer must drill/cut holes into the base of the enclosure to provide wall fixing and cable entry. When doing so care should be taken to ensure the integrity of the IP rating is maintained.

Material

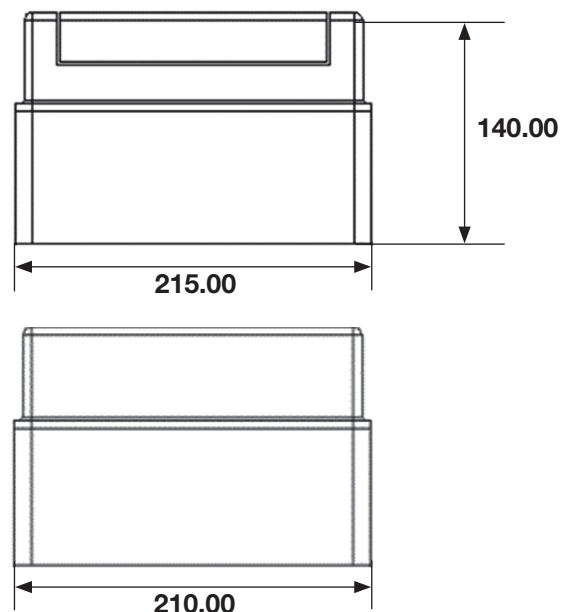
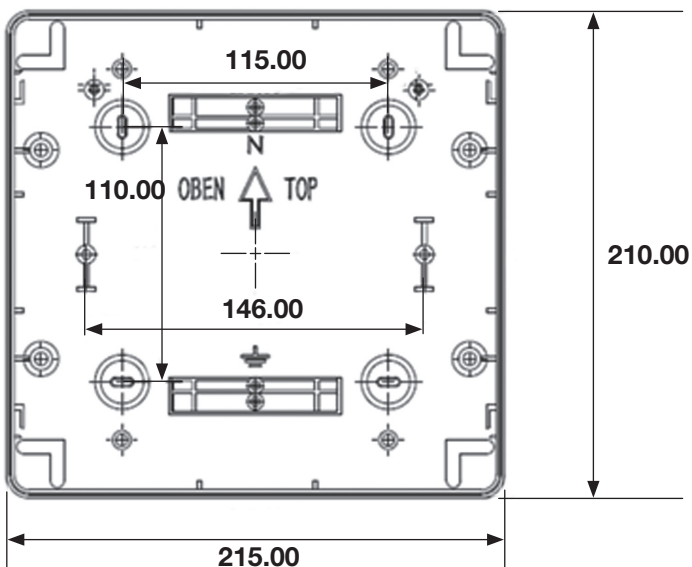
Base – ABS Resin

Cover – ABS/Polycarbonate Alloy

Standards and approvals

The MK Sentry IP65 Garage Kit is designed to fully comply fully with the requirements of BS EN 61439-3

Dimensions (mm)



TECHNICAL SPECIFICATION

ELECTRICAL

MAXIMUM CURRENT RATING
63A

RATED OPERATIONAL VOLTAGE
220V/240V, 50Hz

AMBIENT OPERATING TEMP
-5°C to +40°C

IP RATING
BS EN 60529 - IP65

TERMINAL CAPACITY
RCD 50MM²
NEUTRAL/EARTH TERMINALS 16MM²

EARTHING SYTEM
Suitable for use with TN-S, TN-C-S and TT systems

MAX. INSTALLATION ALTITUDE
2000 metres

DEVICES
1 x 63A RCD 30mA type A 10kA
6x type B curve MCB 6kA (2x 20A, 1x16A, 3x6A)

WEIGHT
Enclosure 0.87Kg
Enclosure with devices 1.85Kg

CircPro (UK) Limited
3C Lamson Road,
Rainham, Essex RM13 9YY Phone:
01708 986180
Email: enquiries@circpro.co.uk
www.mk SentryCircuitProtection.co.uk

Made in China
The MK Trademark is used under license from Novar ED&S Limited
Novar ED&S Limited makes no representations or warranties with respect to this product.
This product is manufactured by CircPro (UK) Limited, a division of Yihua.

