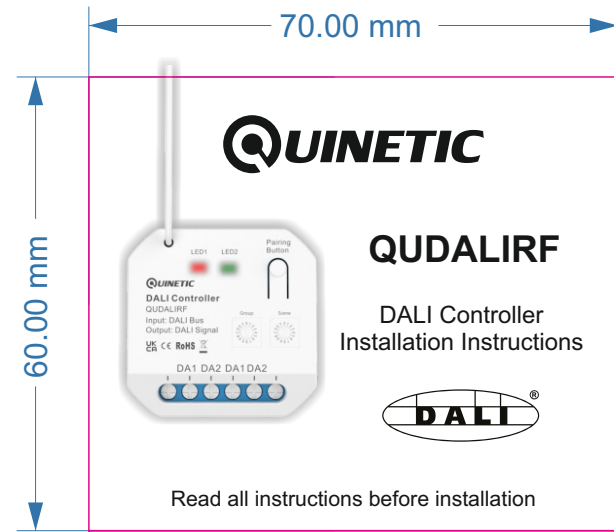


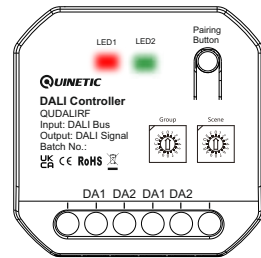
QUDALIRF - Quinetic DALI Receiver Installation Instructions



Product Description

The Quinetic RF DALI controller is a product that connects wired and wireless lighting control solutions. The power supply is provided by DALI bus and it outputs DALI signal. Users can control DALI devices more conveniently by pairing with wireless kinetic switches.

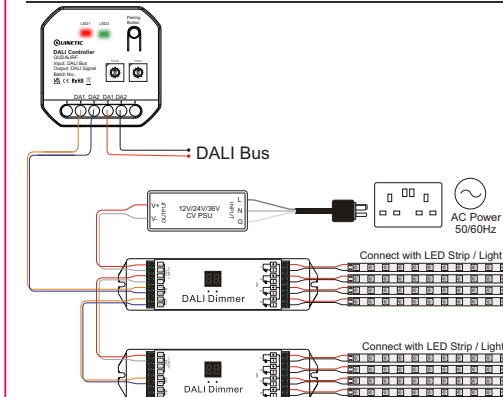
Picture



Technical Parameters

Project	Parameters
Power Supply	DALI Bus
Output Signal	DALI Signal
Power Consumption	<10mA
Operate Range	25 metres (Indoor)
DALI Consumption	<4mA
Storage Capacity	Up to 20 Wireless Quinetic Switches Info
Wiring Method	Screw Terminats
Communication Way	RF 433MHz
RF Receive Sensitivity	-110dBm
Operational Temperature	0°C ~ +40°C
Relative Humidity	8%~80% RH
IP Rating	IP20
Certifications & Standards	IEC62386
Warranty	3 Years

Wiring Diagram



Product Features

Pairing with Wireless Quinetic Switches

There are two rotary switches: "Group" and "Scene". The rotary switch is used to set the starting group or scene number from 0-F, total 16 states.

After powering on, set the starting "Group" and "Scene" numbers. Press the pairing button for 3 seconds and then release. The red LED indicator light will start flashing once per second and the RF DALI controller will enter pairing mode. Press the wireless kinetic switch button once, the indicator light will turn OFF, confirming that the pairing is successful.

Set starting group number via rotary switch:

- When the rotary switch arrow position is at 0, a paired wireless Quinetic switch controls all 16 groups of devices through broadcast
- When the rotary switch arrow position is at X except 0 (1~F), a paired wireless Quinetic switch controls X-1 group of DALI devices

Please refer to the detailed group setting table as follows:

Rotary Switch Position	0	1	2	3	4	5	6	7	8	9	A	B	C	D	E	F
DALI Group	Broadcast	0	1	2	3	4	5	6	7	8	9	10	11	12	13	14

Note: The DALI slave controllers on the circuit must be assigned to one or more DALI groups by a DALI master first.

Set starting scene number via rotary switch:

When the rotary switch arrow position is at X (0~F), a paired wireless Quinetic switch controls DALI scene X+1.

Please refer to the detailed scene setting table as follows:

Rotary Switch Position	0	1	2	3	4	5	6	7	8	9	A	B	C	D	E	F
Dali Scene	1	2	3	4	5	6	7	8	9	10	11	12	13	14	15	16

Up to 20 wireless kinetic switches can be paired with the RF DALI controller. If the number of switches is exceeded, the information for the first wireless Quinetic switch paired will be overwritten.

Clear Pairing

Press the pairing button for 7 seconds and then release. The red LED indicator light will start flashing twice per second. The paired wireless Quinetic switch information on the rotary switch (both group & scene) will be cleared and then the indicator light will turn OFF.

Press the pairing button for 10 seconds to clear all paired wireless switch information. The red indicator light will stay on for 3 seconds and then turn off.

Group Control (Non-Scene)

Note: **Group control (non-scene) only supports dual gang switches or four gang switches.** The left button control OFF (long press for dim-) and the right button controls ON (long press for dim+).

Set the group rotary switch position, press the pairing button for 3 seconds then release the button and the red LED indicator will start flashing once per second. Press the pairing button twice quickly and the green indicator light will stay constantly on. Press the wireless kinetic switch once, the indicator light will turn OFF indicating that pairing is successful. You can now short press the switches to control group on/off and long press to dim up and down.

Default Setting

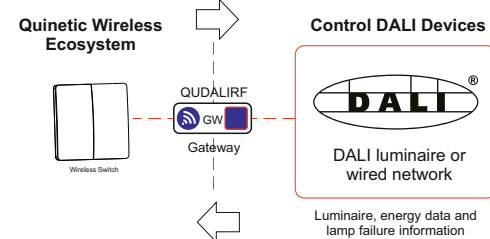
After powering on, the **default brightness is 75%** when the switch is turned ON for the first time. After pairing the wireless Quinetic switch, the red indicator light indicates the output status. Press the wireless Quinetic switch once and the indicator light flashes once, confirming that the action is completed.

In scene mode, a paired wireless Quinetic switch performs the scene function set by the DALI master. In this case, the lights cannot be turned OFF by pressing the button again. Each time the paired wireless Quinetic switch is pressed, the same scene is triggered. (dimming, colour change, etc.)

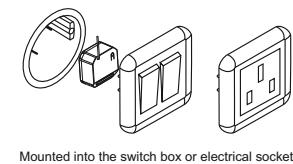
In group mode, a paired wireless Quinetic switch can control one or more groups of DALI devices.

Application

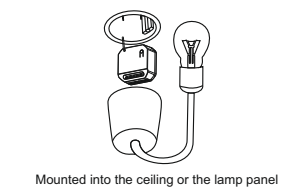
RF DALI controller is a fusion of wired lighting solutions and wireless lighting control solutions, which can be applied in many scenarios such as commercial offices, public buildings, etc. Compatible with the original wiring lighting control system, it has more flexibility, no wiring, quick installation time and effective energy saving.



Installation Locations

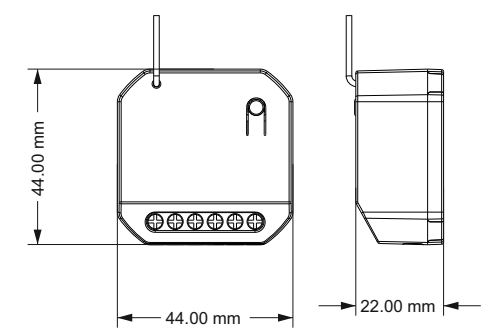


Mounted into the switch box or electrical socket



Mounted into the ceiling or the lamp panel

Dimensions:



For more information about pairing, instructions and troubleshooting please visit www.tic-direct.co.uk

