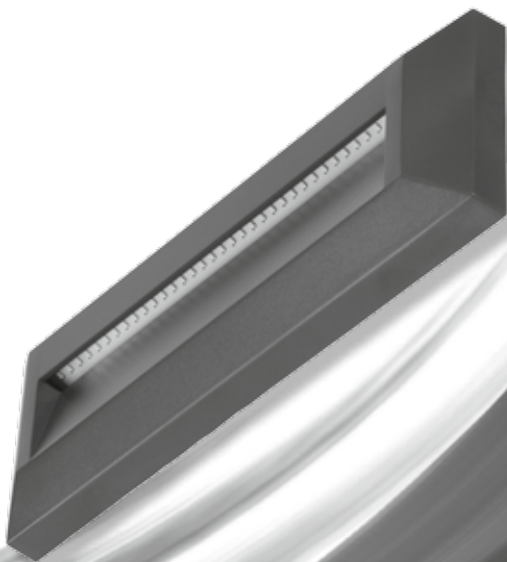


**TIMEGUARD®**

1.6W Horizontal  
LED Step Light

Model: LEDSL1DG – Dark Grey

Model: LEDSL1WH – White



Installation & Operating Instructions

# 1. General Information

These instructions should be read carefully and retained for further reference and maintenance.

## 2. Safety

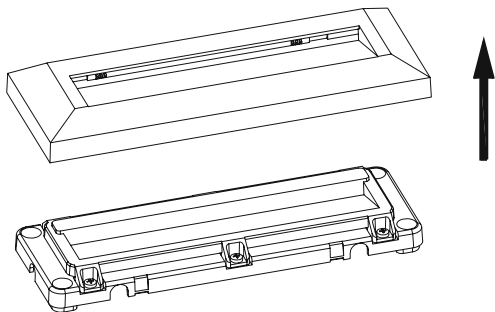
- Before installation or maintenance, ensure the mains supply to the luminaire is switched off and the circuit supply fuses are removed or the circuit breaker turned off.
- It is recommended that a qualified electrician is consulted or used for the installation of this luminaire and install in accordance with the current IEE wiring and Building Regulations.
- Check that the total load on the circuit including when this luminaire is fitted does not exceed the rating of the circuit cable, fuse or circuit breaker.

## 3. Technical Specifications

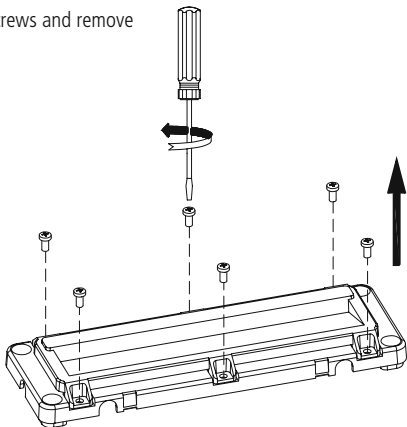
- 230V AC 50 Hz
- This luminaire is of class II construction and must not be earthed
- 1.6W LED Non replaceable lamp
- Energy Efficiency: Class A
- Energy Usage: 1.6kWh/1000h
- Lumen Output: 67lm
- Colour Temperature: 4000K
- Operating Temperature: -20°C to +55°C
- IP65 Rated suitable for restricted external applications
- CE Approved
- Product Dimensions: H80mm, W230mm, D27mm

## 4. Installation

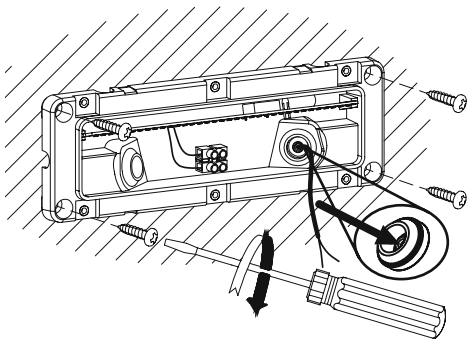
- Ensure the mains supply is switched off and the circuit supply fuses are removed or the circuit breaker turned off.
- An isolating switch should be installed to the switch the power ON & OFF to the luminaire. This allows the unit to be easily switched OFF for maintenance purposes.
- Remove the bezel carefully using a flat head screw driver, to reveal the mounting holes and cover fixing screws.



- Undo the 6 cover fixing screws and remove the clear plastic cover.

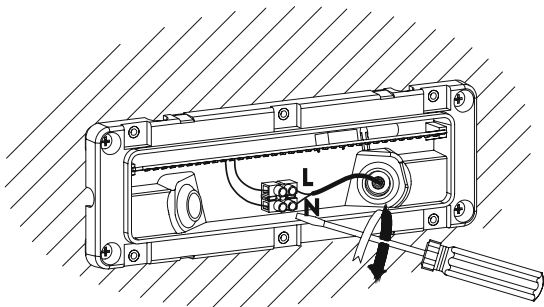


- Mark the position of the mounting holes on the wall using the unit as a template and drill the holes ensuring not to infringe with any gas/water pipes or electrical cables that may be hidden below the surface. Insert the rawl plugs into the holes.
- Pass the 230V 50Hz mains supply cable through the cable entry points on the wall plate, ensuring the grommet(s) is used to maintain the IP rating of the luminaire.
- Fix the wall plate using the correct screws for the rawl plugs installed.

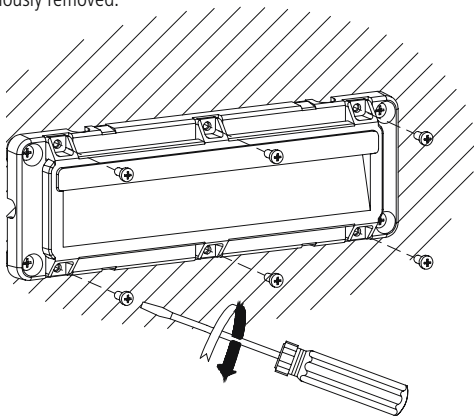


3

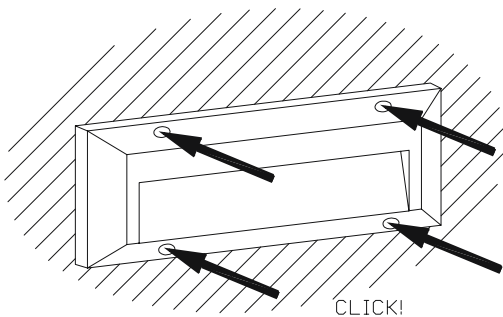
- Terminate the cable into the terminal block (See section 5. Connection Diagram) ensuring correct polarity is observed and that all bare conductors are sleeved.



- Re-fasten the clear plastic cover using the cover fixing screws previously removed.



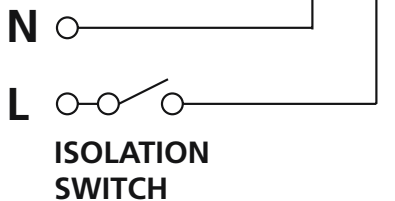
- Re-connect the bezel ensuring it clicks back into place.



## 5. Connection Diagram

- The terminals are marked as follows;

**MAINS  
SUPPLY**



5

### **Mains Supply**

Live (Brown or Red) to **L**

Neutral (Blue or Black) to **N**

## 6. Operation

- Turn the power to the unit ON and the unit will illuminate.

## 3 Year Guarantee

In the unlikely event of this product becoming faulty due to defective material or manufacture within 3 years of the date of purchase, please return it to your supplier in the first year with proof of purchase and it will be replaced free of charge. For years 2 and 3 or any difficulty in the first year, telephone the helpline on 020 8450 0515.

Note: A proof of purchase is required in all cases. For all eligible replacements (where agreed by Timeguard) the customer is responsible for all shipping/postage charges outside of the UK. All shipping costs are to be paid in advance before a replacement is sent.



If you experience problems, do not immediately return the unit to the store. Telephone the Timeguard Customer Helpline;

HELPLINE

**020 8450 0515**

or email [helpline@timeguard.com](mailto:helpline@timeguard.com)

Qualified Customer Support Co-ordinators will be on-line to assist in resolving your query.



A **theben** Group Company

For a product brochure please contact:

**Timeguard Limited.**

Victory Park, 400 Edgware Road,

London NW2 6ND

Sales Office: 020 8452 1112

or email [csc@timeguard.com](mailto:csc@timeguard.com)

**[www.timeguard.com](http://www.timeguard.com)**