

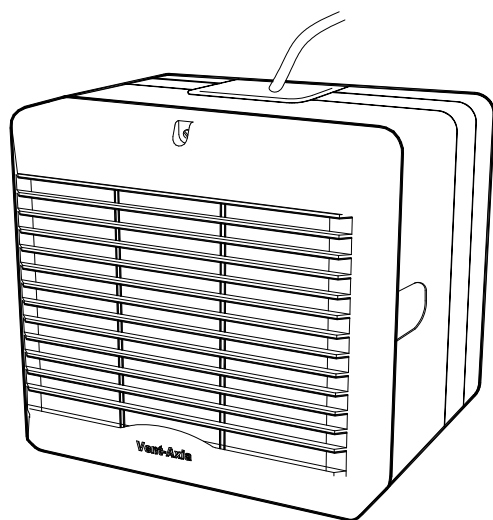
# **Vent-Axia**<sup>®</sup>

**VA 150 A, VA 150 P**

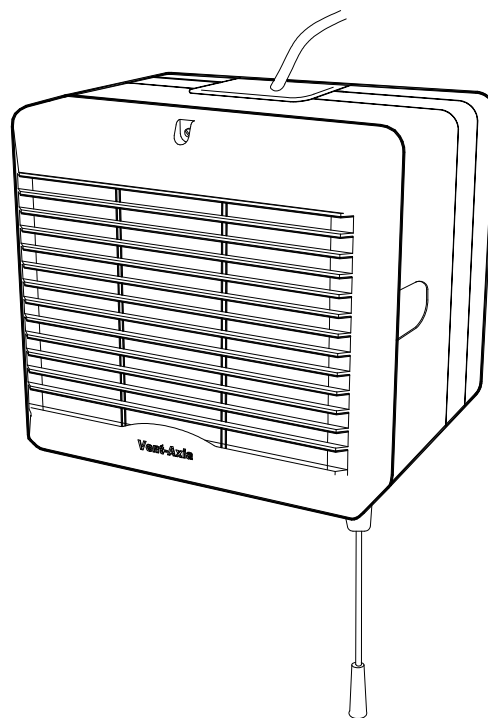
**WINDOW EXTRACT FAN**

Installation and Wiring Instructions

VA150 P  
STOCK Ref: 152110B



VA150 A  
STOCK Ref: 153110B



**220-240V/1/50Hz**

*READ INSTRUCTIONS IN CONJUNCTION WITH ILLUSTRATIONS  
PLEASE SAVE THESE INSTRUCTIONS*





## Installation and Wiring Instructions for the VA150 Kitchen A, P Extract Fan.



### **IMPORTANT: READ THESE INSTRUCTIONS BEFORE COMMENCING THE INSTALLATION**

DO NOT install this product in areas where the following may be present or occur:

- Excessive oil or a grease laden atmosphere.
- Corrosive or flammable gases, liquids or vapours.
- This appliance is not suitable for installation in a shower cubical or enclosure and must be sited away from any source of water spray, and must be out of reach of a person using a fixed bath or shower.
- Ambient temperatures higher than 40°C or less than -5°C.
- Possible obstructions which would hinder the access or removal of the Fan.
- Sudden ductwork bends or transformations close to the Fan.

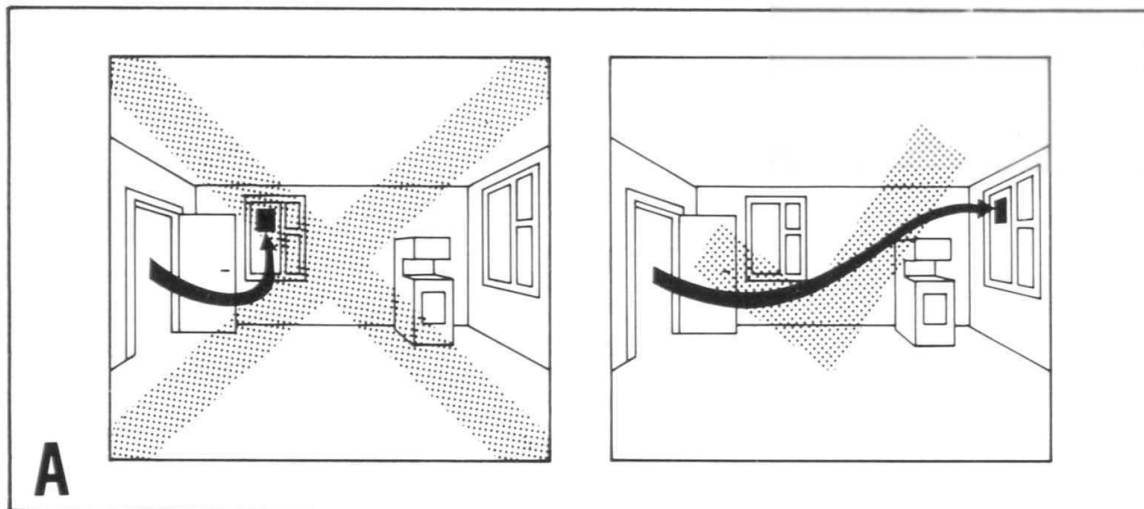
### **SAFETY AND GUIDANCE NOTES**

- A. All wiring to be in accordance with the current I.E.E. Regulations, or the appropriate standards of your country and **MUST** be installed by a suitably qualified person.
- B. The Fan should be provided with a local all pole isolator switch having a contact separation of at least 3mm.
- C. Ensure that the mains supply (Voltage, Frequency, and Phase) complies with the rating label.
- D. The Fan should only be used in conjunction with the appropriate Vent-Axia products.
- E. It is recommended that the connection to the fan connector terminals is made with flexible cable.
- F. When the Fan is used to remove air from a room containing a fuel-burning appliance, ensure that the air replacement is adequate for both the fan and the fuel-burning appliance.
- G. This appliance is not intended for use by young children or infirm persons without supervision.
- H. Young children should be supervised to ensure that they do not play with the appliance.

### **A. INSTALLATION.**

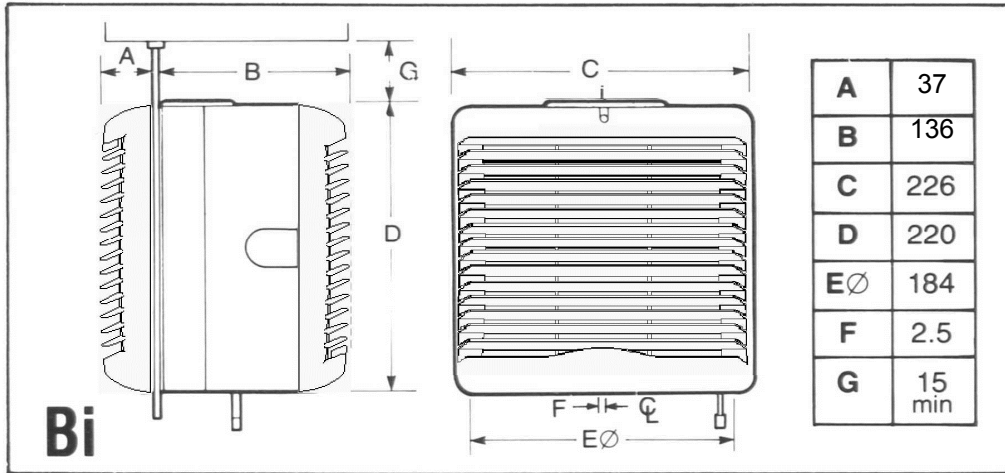
#### **WHERE TO FIT**

**A** A short circuit of the airflow should always be avoided by siting the fan as far away as possible from and opposite to the main source of air replacement.



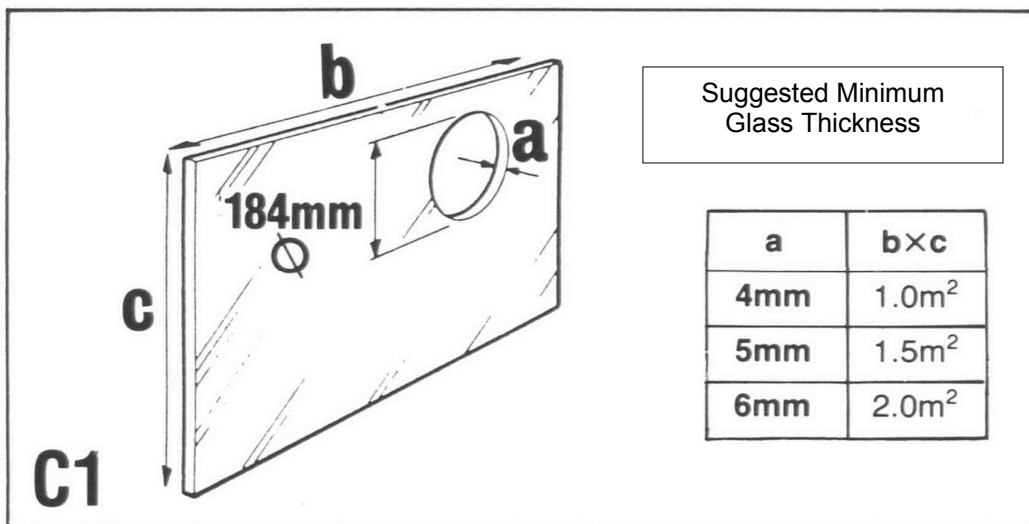
**FAN DIMENSIONS**

**Bi** Before commencing work, the tables in Fig Bi should be read to ensure the fan will fit in the position proposed.



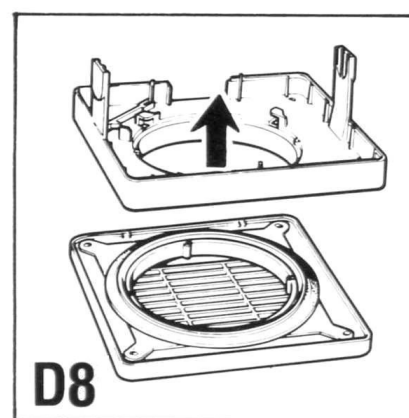
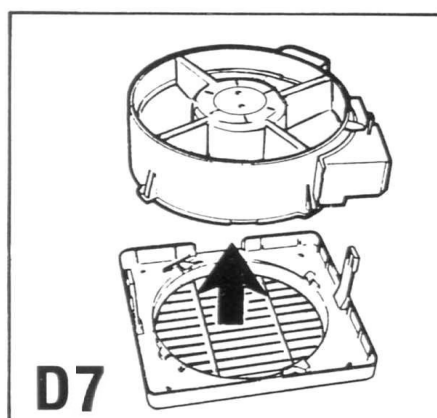
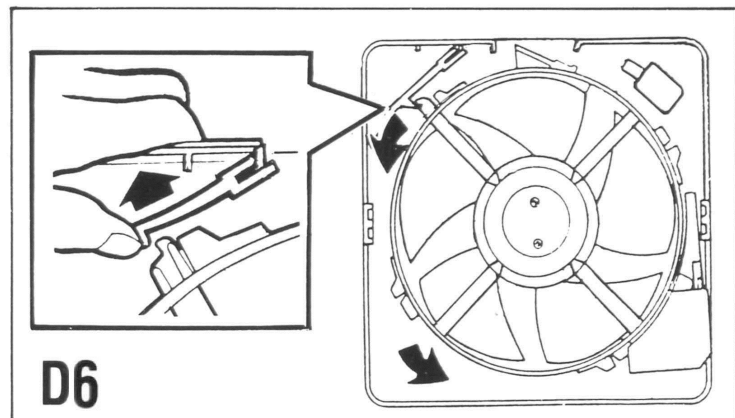
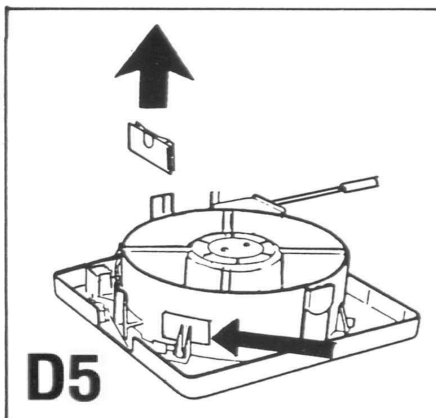
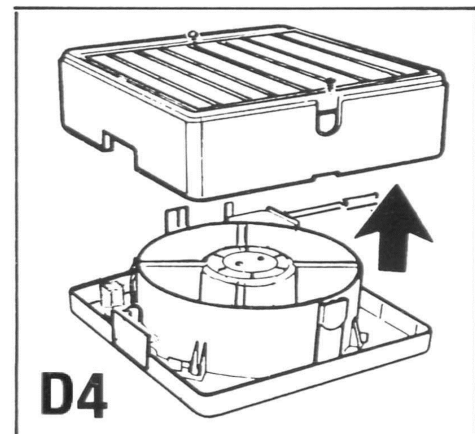
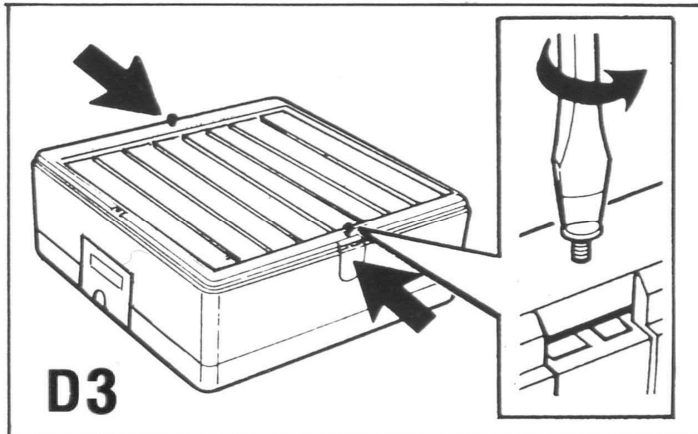
**THICKNESS OF GLASS**

**C1** Fans can be fitted in most types of glass with a fixing thickness up to 32mm, with the screws provided. When fixing thickness exceeds 32mm, the unit should be secured with Extended Fixing Rods, available as an accessory item (56 81 04). If the unit is to be installed in a location exposed to severe wind turbulence thicker glass will be required – consult with Vent-Axia Technical Support for advice.



**PREPARATION FOR INSTALLATION (Dismantling)**

- D1** Place the fan unit, external grille downwards, on a flat surface.
- D2** Unscrew grille securing screw located at the top of the grille. Remove internal grille.
- D3** Slacken the two safety catch screws on the face of the housing. Depress the side catches.
- D4** Lift off the housing.
- D5** Remove the top cover from its housing. Check rating label to ensure that the fan unit is the correct voltage.
- D6** Ease back the motor support safety catch located in the left-hand top corner of the base housing. Rotate motor support assembly anticlockwise until the bayonet catches disengage from the base housing.
- D7** Withdraw motor support assembly and place with the impeller downwards.
- D8** Separate the base housing from the external grille assembly.



## FITTING

**Vent-Axia.**

For Dimensions see Bi

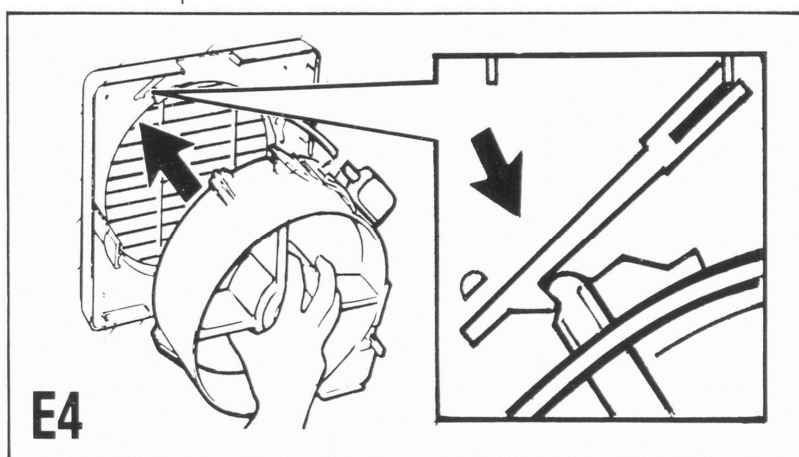
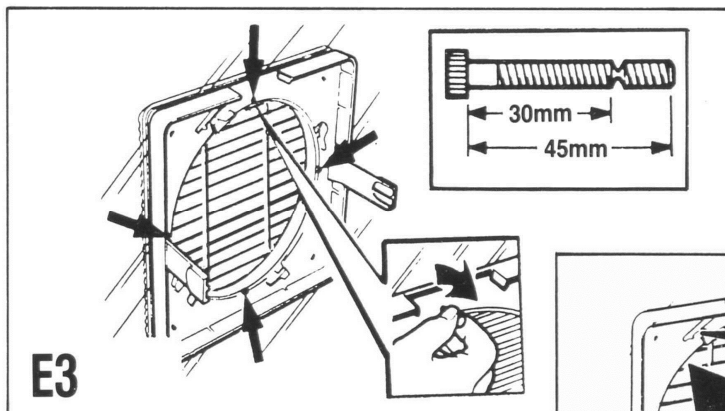
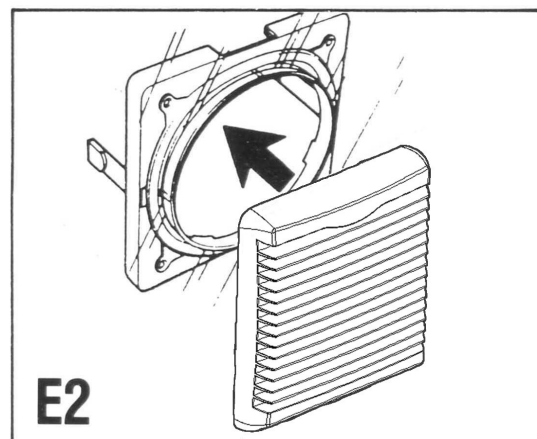
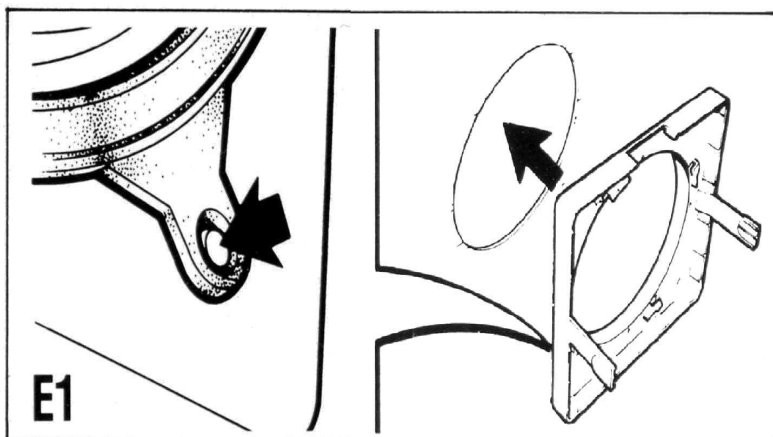
Measure the glass thickness and determine the length of fixing screw required (C1).

Glass thickness 4 to 17mm – Break/ cut off ends of screws supplied.

Glass thickness 16 to 32mm – Use screw as supplied.

Glass thickness 32mm and greater – Use extended rods (56 81 04) available as an accessory.

- E1** From the inside, place the spigot centrally through the fixing hole with the connector hole upwards. Ensure the rubber seal is correctly located over lugs and around the spigot.
- E2** From the outside, place the exterior grille assembly over the projecting spigot, ensure that the grille louvers are slanting downwards.
- E3** From the inside, insert the four thumbscrews through the holes around the spigot. Finger-tighten the screws progressively, in turn, to give an even pressure round the hole into the glass.
- E4** Locate and replace the motor support assembly and turn clockwise until the safety catch is fully engaged.



**WARNING: THE FAN AND ANY ANCILLARY CONTROL EQUIPMENT MUST BE ISOLATED FROM THE POWER SUPPLY DURING THE INSTALLATION / OR MAINTENANCE.**

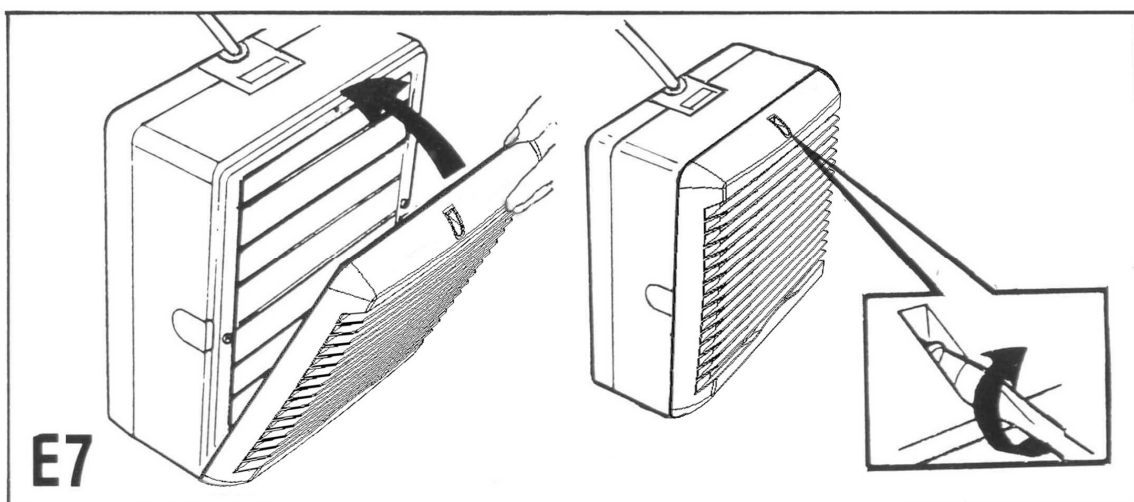
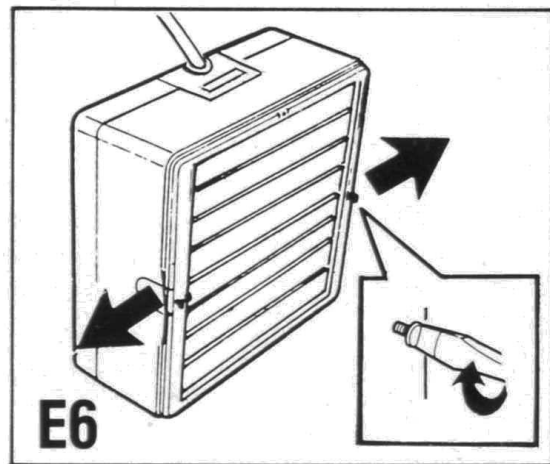
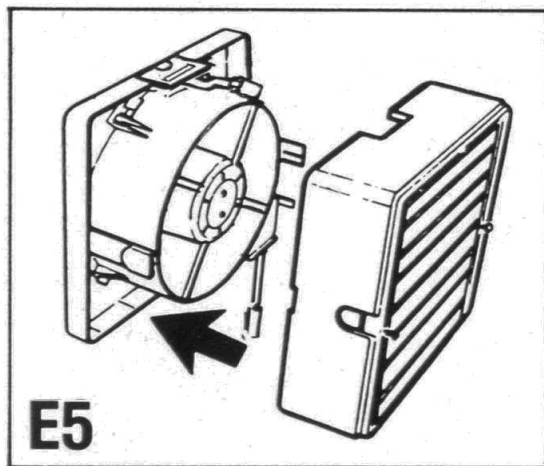
**REFER TO SECTION B – WIRING. BEFORE CONTINUING WITH RE-ASSEMBLING THE FAN**

**RE-ASSEMBLE (WINDOW/ WALL)**

- E5** Replace the housing with the top cover slot uppermost. Feed the pullcord (VA150P) through the slot in the bottom of the housing. Ensure the arm protruding from the actuator housing is in its lower position, i.e. shutter closed.
- E6** With the two side catches fully engaged, tighten the catch safety screws.
- E7** Replace the internal grille. Locate the bottom edge first and then engage the top. Tighten the securing screw at the top of the grille.
- E8** Switch on the mains supply. Check the fans operation.

VA150 P – 1) Pull the pullcord once and release. The shutter will open and the fan will commence extraction.  
2) Pull the pullcord again and release. The shutter will close and the fan will stop.

VA150 A – 1) Switch on power supply (switch). The shutter will open and the fan will commence extraction.  
2) Switch off power supply (switch). The shutter will close and the fan will stop.

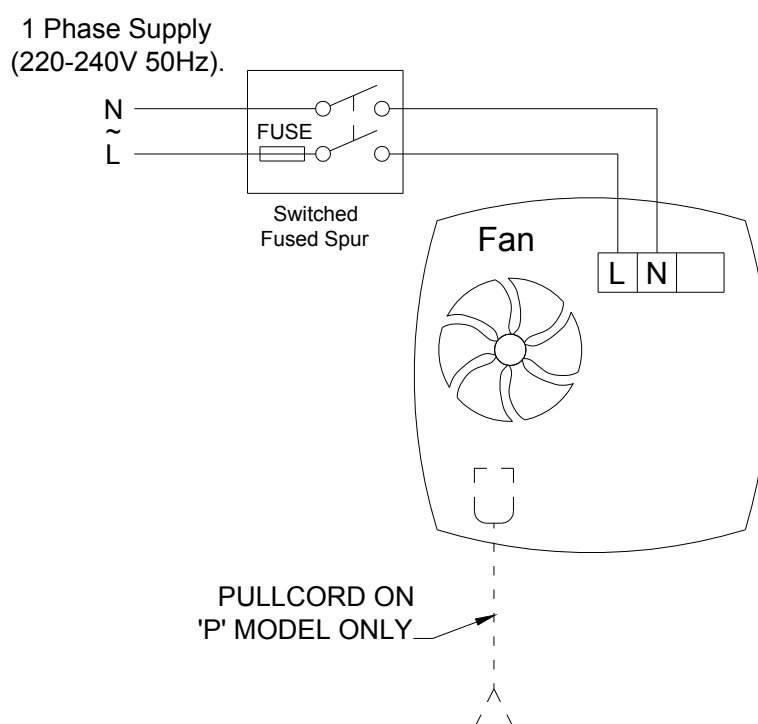


**B. WIRING.**

**WARNING: THE FAN AND ANY ANCILLARY CONTROL EQUIPMENT MUST BE ISOLATED FROM THE POWER SUPPLY DURING THE INSTALLATION / OR MAINTENANCE.**

Take the top cover. Make a suitable hole in the grommet. Pass the cable through the hole and slide the top cover into the base housing.

- VA150A and VA150P fans are Class II double insulated and **MUST NOT BE EARTHED**
- A Cable Clamp is provided adjacent to the terminal block and must be used.
  - 1) Loosen the cable clamp screws and pass the cable through the clamp.
  - 2) Connect the LIVE (Brown) to the terminal L, and NEUTRAL (Blue) to the terminal N.
  - 3) Tighten the cable clamp screws evenly, ensuring a secure grip on the outer sheath of the cable.
- The Fan should be provided with a local all pole isolator switch. With contact separation of at least 3mm.

**C. SERVICING AND MAINTENANCE.**

**WARNING: THE FAN AND ANY ANCILLARY CONTROL EQUIPMENT MUST BE ISOLATED FROM THE POWER SUPPLY DURING THE INSTALLATION / OR MAINTENANCE.**

1. At intervals appropriate to the installation, the fan should be inspected and cleaned to ensure there is no build up of dirt or other deposits.
2. Remove the Indoor Grille (See Section D2 for instructions) and wash in warm soapy water.
3. Wipe the shutter blades with a damp cloth until clean.
4. Replace the Grille.



**PRODUCT FICHE**

For Residential Ventilation Units (Complying Commission Delegated Regulation (EU)

No 1254/2014)

Name:	Vent-Axia	Vent-Axia
Model ID (Stock Ref.) :	VA 150 P - 152110	VA 150 A - 153110
SEC Class	F	F
SEC Value ('Average')	13.97	13.97
SEC Value ('Warm')	6.32	6.32
SEC Value ('Cold')	27.32	27.32
Label Required? (Yes/No=Out of scope)	No	No
Declared as: RVU or NRVU/UVU or BVU	RVU-UVU	RVU-UVU
Speed Drive	Multi-Speed	Multi-Speed
Type HRS (Recuperative, Regenerative, None)	None	None
Thermal Eff: [ (%), NA(if none)]	N/A	N/A
Max. Flow Rate (m3/h)	216.00	216.00
Max. Power Input (W): (@Max.Flow Rate)	19.00	19.00
LWA: Sound Power Level (dB)	54.52	54.52
Ref. Flow Rate (m3/s)	0.04	0.04
Ref. Pressure Diff. (Pa)	N/A	N/A
SPI [W/(m3/h)]	0.13	0.13
Control Factor & Control Typology: (CTRL/ Typology)		
Control Factor; CTRL	1.00	1.00
Control Typology	Manual Control	Manual Control
Declared: -Max Internal & External Leakage Rates(%) for BVUs or carry over (for regenerative heat exchangers only), -&Ext. Leakage Rates (%) for Ducted UVUs;	N/A	N/A
Mixing Rate of Non-Ducted BVUs not intended to be equipped with one duct connection on either supply or extract air side;	N/A	N/A
Position and description of visual filter warning for RVUs intended for use with filters, including text pointing out the importance of regular filter changes for performance and energy efficiency of the unit	N/A	N/A
For UVUs (Instructions Install Regulated Supply/Extract Grilles Façade)	In F&W	In F&W
Internet Address (for Disassembly Instructions)	<a href="http://www.vent-axia.com">www.vent-axia.com</a>	<a href="http://www.vent-axia.com">www.vent-axia.com</a>
Sensitivity p. Variation@+20/-20 Pa: (for Non-Ducted Vus)	N/A	N/A
Air Tightness-ID/OD-(m3/h) (for Non-Ducted Vus)	N/A	N/A
Annual Electricity Consumption: AEC (kWh/a)	1.73	1.73
Annual Heating Saved: AHS (kWh/a)		
AHS: Average	13.97	13.97
AHS: Warm	6.32	6.32
AHS: Cold	27.32	27.32





## The Vent-Axia Guarantee

Applicable only to products installed and used in the United Kingdom. For details of the Guarantee outside of the United Kingdom contact your local supplier.

Vent-Axia guarantees this product for two years from the date of purchase against faulty material or workmanship. In the event of any part being found to be defective, the product will be repaired, or at the Company's discretion the product will be replaced without charge, provided that the product:

- 1). Has been installed and used in accordance with the instruction given with each unit.
- 2). The electricity supply complies with the rating label.
- 3). Has not been misused, neglected or damaged.
- 4). Has not been modified or repaired by any person not authorised to do so by Vent-Axia.

### IF CLAIMING UNDER THE TERMS OF THE GUARANTEE

Please return the complete product, carriage paid to your original supplier by post or in person. Please ensure that it is adequately packed and accompanied by a letter clearly marked 'Guarantee Claim' stating the nature of the fault and providing proof of the date and source of purchase.

As part of the policy of continuous product improvement Vent-Axia reserve the right to alter specifications without notice

# **Vent-Axia**<sup>®</sup>

**Head Office:** Fleming Way, Crawley, West Sussex RH10 9YX

Tel: 01293 526062 Fax: 01293 551188

Internet site at: [www.vent-axia.com](http://www.vent-axia.com)